



SKU
WD100-30X30

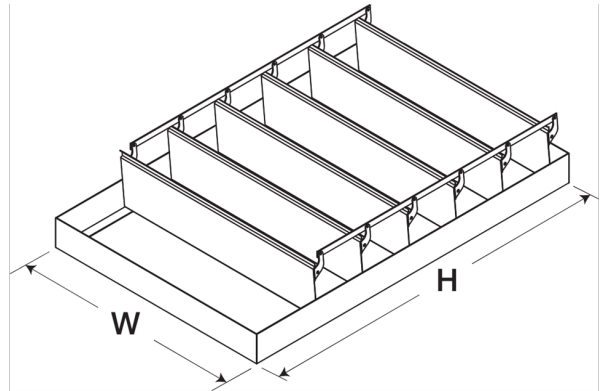
Job Name:
Mark:
Submitted By:
Date: 11/14/2019

Backdraft damper, horizontal mount, Model WD-100, 30 In Sq, No Flange



The WD-100 series are horizontally mounted backdraft dampers designed to allow vertical airflow up and prevent reverse airflow. The dampers are opened by air pressure differential (assisted by springs) and closed by gravity. The damper features a flangeless, galvanized steel frame and aluminum blades.

- Width and height furnished approximately 0.125 in. under size



H	W
29.875 in	29.875 in

Performance Characteristics

No Fan Curve Available.

Construction Features

Frame Material	Galvanized Steel
Frame Gauge	18
Frame Type	No Flange
Blade Material	Aluminum
Blade Gauge	0.025