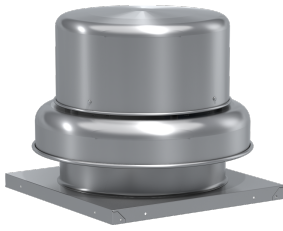




SKU  
GB-161-LMDX-QD

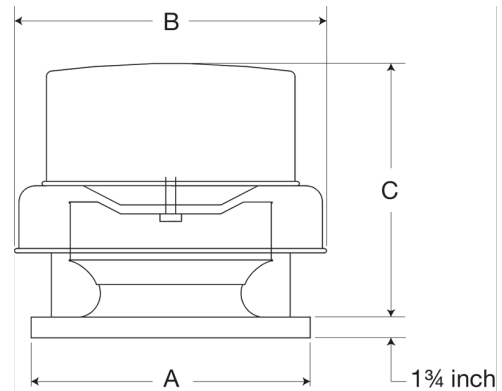
Job Name:  
Mark:  
Submitted By:  
Date: 11/17/2019

# Centrifugal Downblast Exhaust Fan, Model GB-161, Belt Drive, Less Motor & Drive Package, 970-4667 CFM



Model GB, belt drive centrifugal roof exhaust fans are designed to meet the general clean air exhaust requirements for industrial and commercial buildings. Units feature a fully rolled windband bead for increased stability and easy transport. Fresh outside air is drawn in under the motor cover to maximize motor life.

- Centrifugal wheel provides high-efficiency and minimal sound
- True vibration isolation supports the motor and wheel for long life and quiet operation
- One-piece aluminum curb cap provides a weather-tight fit
- Positive motor cooling with fresh air results in maximum motor life
- Galvanized birdscreen protects the fan discharge from birds and small objects

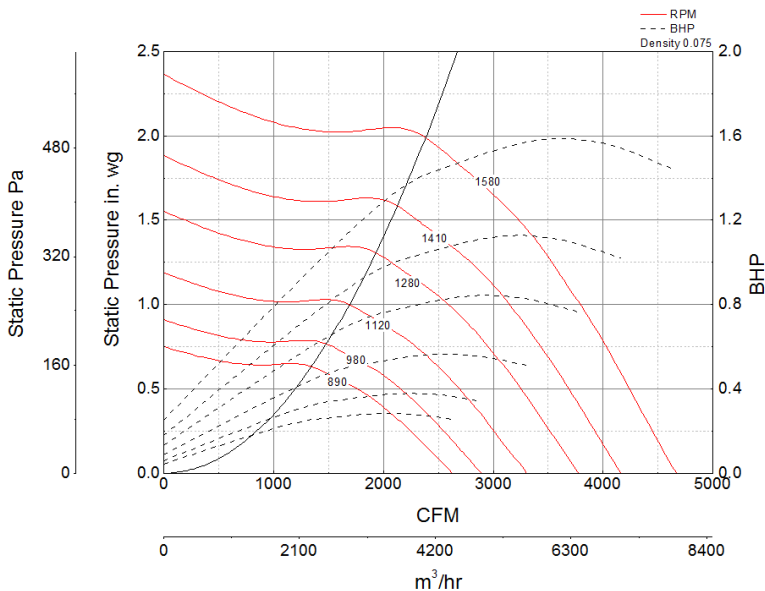


A	B	C
22 in	28.375 in	23.75 in

## Certifications

AMCA Sound & Air  
High Wind and Hurricane  
Seismic  
UL/cUL 705

## Performance Characteristics



Note: The maximum FRPM for each motor horsepower is shown. For additional performance ranges available for this fan, refer to the performance table.

## Construction Features

Drive Type	Belt Drive
Impeller Type	Centrifugal Wheel
Impeller Material	Aluminum
Housing Material	Spun Aluminum
Max Inlet Temp	180 °F
Certifications	AMCA Sound & Air High Wind and Hurricane Seismic UL/cUL 705
Drive Package Description	No drive package included
Required Accessory	Roof curb for new installations

## Motor Information

Motor Included	No
----------------	----

## Air and Sound Performance

Motor HP	Max BHP	Max Fan RPM	Min Fan RPM	Ps (in. wg)	0	0.125	0.25	0.375	0.5	0.625	0.75	0.875	1	1.25	1.5	1.75
1/4	0.08	580	480	CFM	1,713	1,417	970	-	-	-	-	-	-	-	-	-
				Sones	5.8	5.6	5.3	-	-	-	-	-	-	-	-	-
1/4	0.15	720	580	CFM	2,127	1,893	1,632	1,243	-	-	-	-	-	-	-	-
				Sones	7.8	7.5	7.2	6.8	-	-	-	-	-	-	-	-
1/4	0.28	890	720	CFM	2,629	2,439	2,248	2,031	1,757	1,355	-	-	-	-	-	-
				Sones	11.3	10.8	10.4	10	9.3	8.7	-	-	-	-	-	-
1/3	0.10	640	570	CFM	1,890	1,626	1,292	-	-	-	-	-	-	-	-	-
				Sones	6.6	6.4	6.1	-	-	-	-	-	-	-	-	-
1/3	0.20	790	640	CFM	2,334	2,121	1,894	1,611	-	-	-	-	-	-	-	-
				Sones	9.1	8.7	8.4	7.9	-	-	-	-	-	-	-	-
1/3	0.38	980	790	CFM	2,895	2,722	2,551	2,365	2,157	1,887	1,518	-	-	-	-	-
				Sones	13.5	12.8	12.3	12	11.4	10.7	10	-	-	-	-	-
1/2	0.29	900	720	CFM	2,658	2,471	2,282	2,069	1,803	1,421	-	-	-	-	-	-
				Sones	11.6	11	10.6	10.2	9.6	8.9	-	-	-	-	-	-
1/2	0.56	1120	900	CFM	3,308	3,157	3,008	2,855	2,688	2,508	2,290	2,013	-	-	-	-
				Sones	15.7	15.2	14.6	14.2	13.9	13.4	12.8	12.5	-	-	-	-
3/4	0.44	1030	840	CFM	3,042	2,878	2,716	2,546	2,354	2,126	1,824	-	-	-	-	-
				Sones	14.3	13.6	13.1	12.7	12.3	11.7	11.1	-	-	-	-	-
3/4	0.84	1280	1030	CFM	3,781	3,648	3,517	3,387	3,251	3,107	2,953	2,788	2,584	2,058	-	-
				Sones	18.6	18.1	17.6	17.1	16.8	16.5	16.1	15.7	15.5	14.1	-	-
1	0.58	1130	940	CFM	3,338	3,188	3,040	2,889	2,725	2,547	2,336	2,069	1,742	-	-	-
				Sones	15.9	15.3	14.8	14.4	14	13.6	13	12.7	11.7	-	-	-
1	1.13	1410	1130	CFM	4,165	4,045	3,924	3,807	3,687	3,564	3,432	3,292	3,146	2,790	2,306	-
				Sones	21	21	20	19.9	19.5	19.2	18.9	18.5	18.2	17.7	16.6	-
1 1/2	0.82	1270	1150	CFM	3,751	3,618	3,485	3,355	3,218	3,070	2,915	2,748	2,537	1,991	-	-
				Sones	18.5	17.9	17.4	16.9	16.6	16.3	15.9	15.5	15.3	13.7	-	-
1 1/2	1.58	1580	1270	CFM	4,667	4,560	4,452	4,346	4,241	4,134	4,024	3,912	3,787	3,531	3,221	2,825
				Sones	25	25	24	24	24	23	23	23	22	22	21	21



- Greenheck Fan Corporation certifies that the model shown herein is licensed to bear the AMCA Seal. The ratings shown are based on tests and procedures performed in accordance with AMCA Publication 211 and AMCA Publication 311 and comply with the requirements of the AMCA Certified Ratings Program.
- Performance certified is for installation type A: Free inlet, Free outlet.
- Power rating (BHP/kW) includes transmission losses.
- Performance ratings include the effects of birdscreen.
- The sound ratings shown are loudness values in fan sones at 5 ft. (1.5 m) in a hemispherical free field calculated per AMCA Standard 301. Values shown are for installation type A: free inlet hemispherical sone levels.