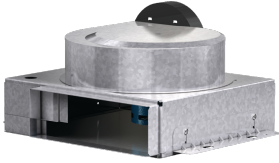




SKU
CSP-B150-QD

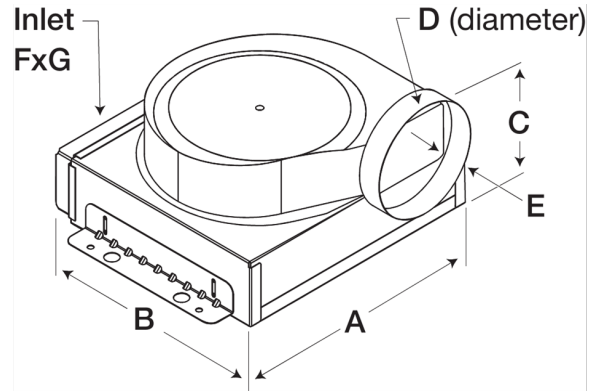
Nombre del Proyecto:
Marca:
Enviado por:
Fecha: 11/17/2019

Inline Cabinet Fan, Model CSP-B150, 115V, 1 Ph, 100-151 CFM



Model CSP-B, low profile, high performance inline fans are designed for residential, commercial and institutional applications. Units feature forward-curved wheels for low sound levels and high efficiency. Factory assembled for horizontal discharge.

- Vertical electrical access to eliminate drilling holes
- Large electrical junction box for easy wiring
- Adjustable mounting brackets for multiple installation conditions
- Embossed, galvanized steel housing for rigidity
- Speed controllable motor
- Easy access to internal components through access panels

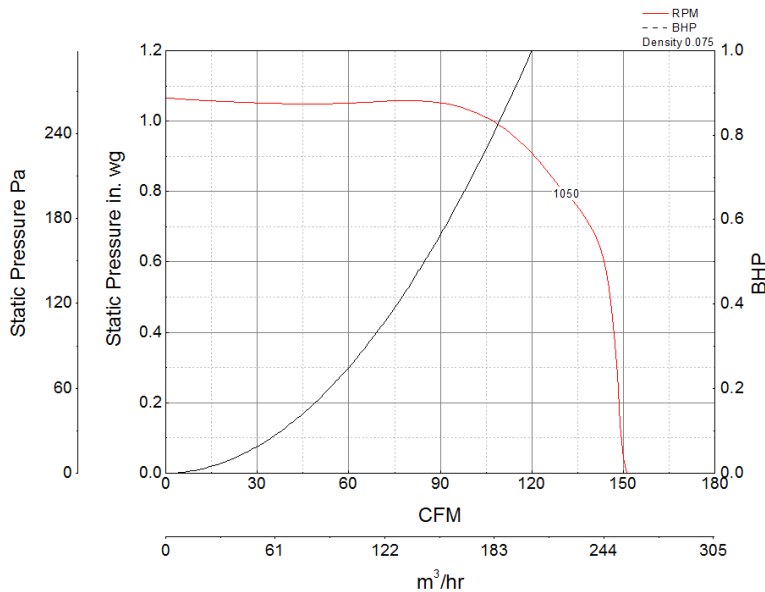


A	B	C	D	E	F	G
13.875 in	11.5 in	7 in	6 in	1.25 in	13.5 in	3.25 in

Certifications

AMCA Air
UL/cUL 507

Características de funcionamiento



Características de Construcción

Drive Type	Direct Drive
Impeller Type	Centrifugal Wheel
Impeller Material	Polypropylene
Housing Material	Galvanized Steel
Includes	Access Panel Backdraft damper Mounting brackets
Certifications	AMCA Air UL/cUL 507
Speed Controllable	Yes

Información del motor

Service Factor	1
Phase	1
Voltage	115
Hertz	60
RPM	1050
Motor Insulation	B
Thermal Protection	Auto
Nominal Efficiency	15
Watts	19.2

Rendimiento de Aire y Sonido

Watts	Max Fan RPM	Min Fan RPM	Ps (in. wg)	0	0.125	0.25	0.375	0.5	0.625	0.75	0.875	1
129	1050	840	PCM	151	149	148	147	146	142	135	123	100
			Sones	2.5	2.7	2.9	3.1	3.4	3.7	3.9	4	4



- Greenheck Fan Corporation certifies that the CSP models shown herein are licensed to bear the AMCA seal.
- The ratings shown are based on tests and procedures performed in accordance with AMCA Publication 211 and comply with the requirements of the AMCA Certified Ratings Program.
- The CSP models are not AMCA certified with 50 hertz motors.