



SKU  
WD100-8X8

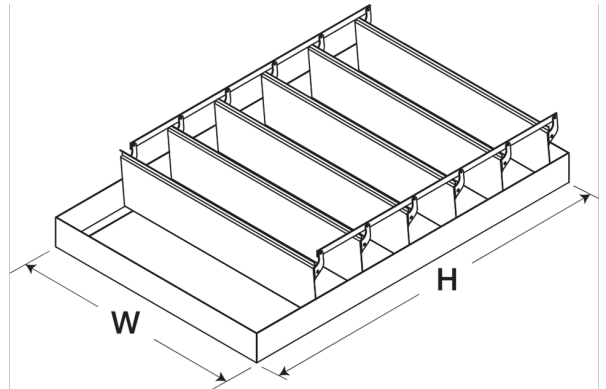
Job Name:  
Mark:  
Submitted By:  
Date: 11/17/2019

## Backdraft damper, horizontal mount, Model WD-100, 8 In Sq, No Flange, Performance up to 2,500 ft/min



The WD-100 series are horizontally mounted backdraft dampers designed to allow vertical airflow up and prevent reverse airflow. The dampers are opened by air pressure differential (assisted by springs) and closed by gravity. The damper features a flangeless, galvanized steel frame and aluminum blades.

- Width and height furnished approximately 0.125 in. under size



H	W
7.875 in	7.875 in

### Performance Characteristics

No Fan Curve Available.

### Construction Features

Frame Material	Galvanized Steel
Frame Gauge	18
Frame Type	No Flange
Blade Material	Aluminum
Blade Gauge	0.025