



SKU
BD90-8X8

Nombre del Proyecto:
Marca:
Enviado por:
Fecha: 09/17/2019

Backdraft damper, horizontal mount, Model BD-90, 8 In Sq, No Flange, Performance up to 1,500 ft/min

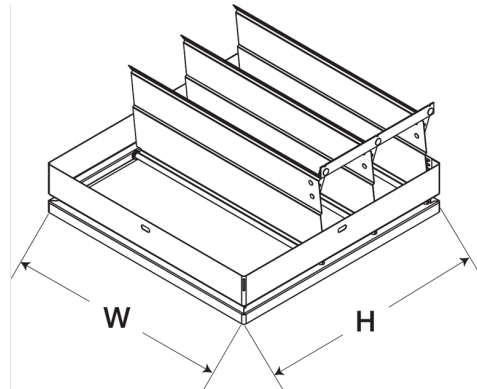


The BD-90 is a horizontal mount backdraft damper designed to allow vertical airflow up and prevent reverse airflow. The dampers are opened by air pressure differential and closed by gravity. The damper features a flangeless, galvanized steel frame and aluminum blades.

- AMCA certified for Air Leakage and Air Performance
- Width and height furnished approximately 0.125 in. under size

Certifications

AMCA Air & Leakage



H	W
7.875 in	7.875 in

Características de funcionamiento

No hay curva del ventilador disponible.

Características de Construcción

Frame Material	Galvanized Steel
Frame Gauge	24
Frame Type	No Flange
Blade Material	Aluminum
Blade Gauge	0.016
Certifications	AMCA Air & Leakage