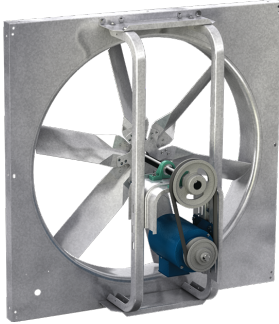




SKU
SBE-1H20-3X-QD-DR3

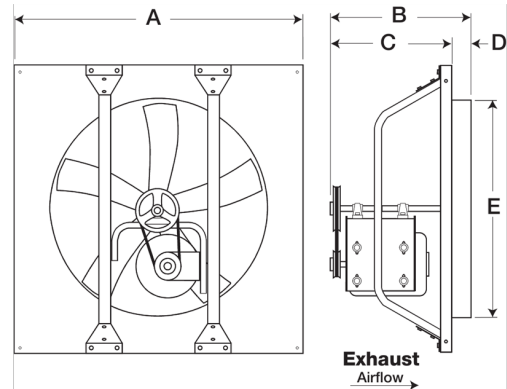
Nombre del Proyecto:
Marca:
Enviado por:
Fecha: 12/16/2019

Sidewall Propeller Exhaust Fan, Model SBE-1H20, Belt Drive, 1/3HP, 115/208-230V, 1Ph, Motor & Drives Unassembled, 542-3494 CFM



Model SBE, belt drive, sidewall propeller exhaust fans are designed for commercial and industrial applications where high volumes of air and low static pressures are required.

- Galvanized steel drive frame with one-piece drawn venturi for structural rigidity
- 6-blade galvanized steel propeller
- Adjustable motor pulley to optimize fan performance
- Pre-punched mounting holes on fan panel allows for easy installation and precise alignment.
- Motor, pulleys and belt ship separately for field assembly

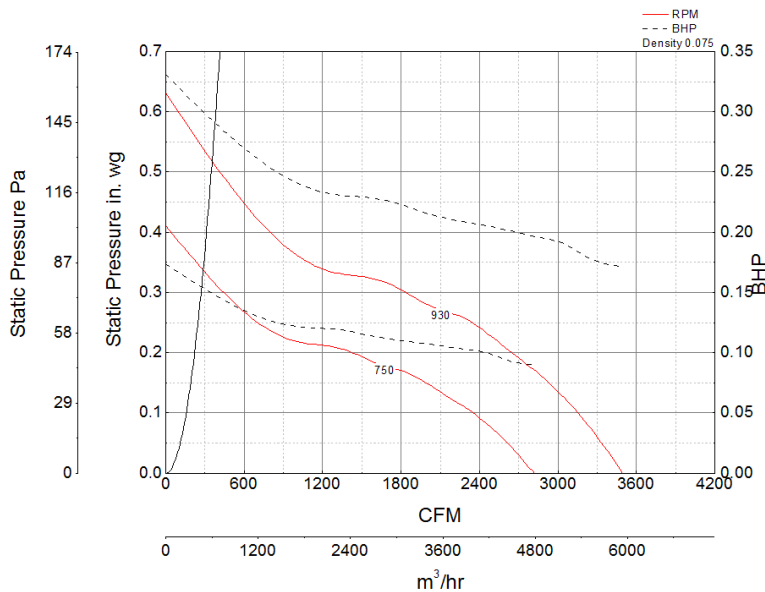


A	B	C	D	E
26 in	19.5 in	16.25 in	1 in	20.5 in

Certifications

AMCA Sound & Air
UL/cUL 705

Características de funcionamiento



Características de Construcción

Drive Type	Belt Drive
Impeller Type	Propeller
Impeller Material	Galvanized Steel
Housing Material	Galvanized Steel
Includes	Disconnect switch Unassembled drive package
Max Inlet Temp	130 °F
Certifications	AMCA Sound & Air UL/cUL 705
Drive Package Description	Motor and drives shipped loose

Información del motor

Service Factor	1.35
Phase	1
Voltage	115 208 230
HP	1/3
Hertz	60
Motor Enclosure	Open Drip Proof
RPM	1800
Motor Insulation	B
Thermal Protection	Auto
Nominal Efficiency	64
NEMA Frame Size	48

Rendimiento de Aire y Sonido

HP Motor	BHP Max	Max Fan RPM	Min Fan RPM	Ps (in. wg)	0	0.125	0.25	0.375	0.5
1/3	0.29	930	750	PCM	3,494	3,048	2,334	1,058	542
				Sones	15.4	15.3	15.5	15.2	15.1



- Greenheck Fan Corporation certifies that the model shown herein is licensed to bear the AMCA seal. The ratings shown are based on tests and procedures performed in accordance with AMCA Publication 211 and AMCA Publication 311 and comply with the requirements of the AMCA Certified Ratings Program.
- Performance certified is for installation type A: Free inlet, Free outlet.
- Power rating (Bhp/kW) includes transmission losses.
- Performance ratings do not include the effects of appurtenances (accessories).
- The sound ratings shown are loudness values in fan sones at 5 ft. (1.5 m) in a hemispherical free field calculated per AMCA Standard 301. Values shown are for installation type A: free inlet hemispherical sone levels.