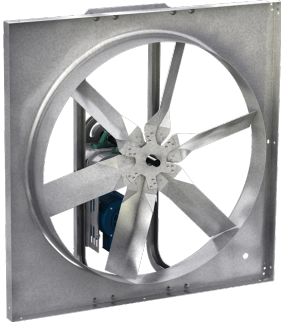




SKU
SBE-1H24-LMDX-QD

Nombre del Proyecto:
Marca:
Enviado por:
Fecha: 08/21/2019

Sidewall Propeller Exhaust Fan, Model SBE-1H24, Belt Drive, Less Motor & Drive Package, 631-5281 CFM

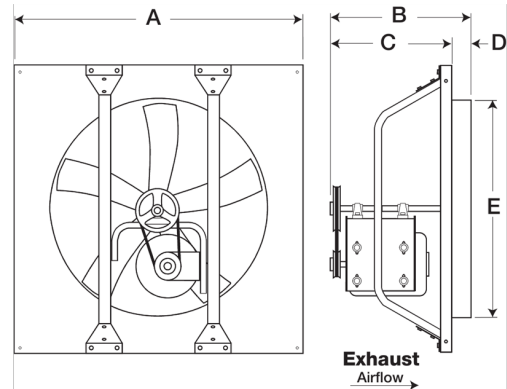


Model SBE, belt drive, sidewall propeller exhaust fans are designed for commercial and industrial applications where high volumes of air and low static pressures are required.

- Galvanized steel drive frame with one-piece drawn venturi for structural rigidity
- 6-blade galvanized steel propeller
- Pre-punched mounting holes on fan panel allows for easy installation and precise alignment.

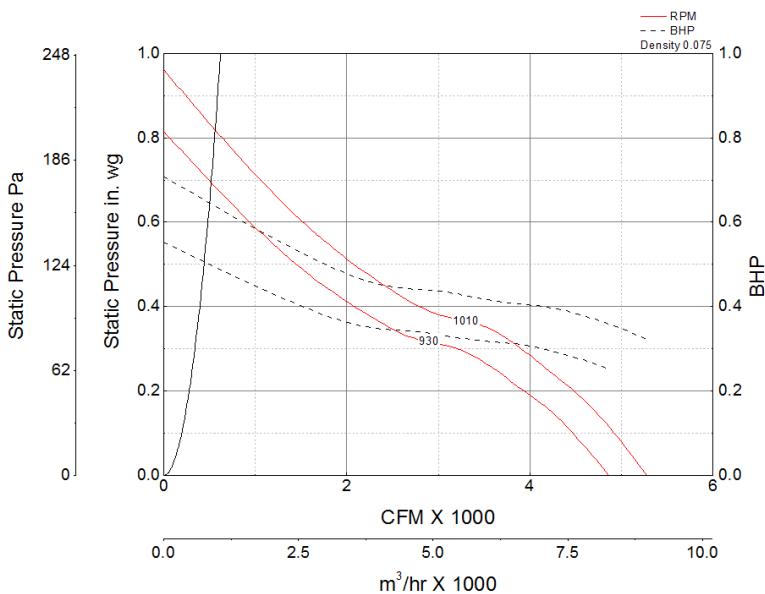
Certifications

AMCA Sound & Air
UL/cUL 705



A	B	C	D	E
32 in	19.5 in	16.125 in	1.25 in	24.625 in

Características de funcionamiento



Note: The maximum FRPM for each motor horsepower is shown. For additional performance ranges available for this fan, refer to the performance table.

Características de Construcción

Drive Type	Belt Drive
Impeller Type	Propeller
Impeller Material	Galvanized Steel
Housing Material	Galvanized Steel
Max Inlet Temp	130 °F
Certifications	AMCA Sound & Air UL/cUL 705
Drive Package Description	No drive package included

Información del motor

Motor Included	No
----------------	----

Rendimiento de Aire y Sonido

HP Motor	BHP Max	Max Fan RPM	Min Fan RPM	Ps (in. wg)	0	0.125	0.25	0.375	0.5	0.625	0.75
1/4	0.12	600	520	PCM	3,137	2,056	643	-	-	-	-
				Sones	8.7	8.4	8.2	-	-	-	-
1/4	0.23	750	600	PCM	3,922	3,212	1,778	894	-	-	-
				Sones	12.1	12.1	11.1	10.9	-	-	-
1/4	0.46	930	750	PCM	4,863	4,353	3,622	2,268	1,465	883	-
				Sones	17.5	17.3	17.1	16.1	15.8	16.1	-
1/3	0.14	650	570	PCM	3,399	2,502	985	-	-	-	-
				Sones	9.7	9.6	8.5	-	-	-	-
1/3	0.32	810	650	PCM	4,235	3,610	2,347	1,299	631	-	-
				Sones	13.9	14.2	13.2	12.1	13.2	-	-
1/3	0.60	1010	810	PCM	5,281	4,819	4,193	3,093	2,108	1,439	904
				Sones	21	20	19.8	19.3	18	18.3	18.7



- Greenheck Fan Corporation certifies that the model shown herein is licensed to bear the AMCA seal. The ratings shown are based on tests and procedures performed in accordance with AMCA Publication 211 and AMCA Publication 311 and comply with the requirements of the AMCA Certified Ratings Program.
- Performance certified is for installation type A: Free inlet, Free outlet.
- Power rating (Bhp/kW) includes transmission losses.
- Performance ratings do not include the effects of appurtenances (accessories).
- The sound ratings shown are loudness values in fan sones at 5 ft. (1.5 m) in a hemispherical free field calculated per AMCA Standard 301. Values shown are for installation type A: free inlet hemispherical sone levels.