



SKU  
CUBE-180-10G-3-QD-DR2

Job Name:  
Mark:  
Submitted By:  
Date: 09/17/2019

## Centrifugal Upblast Exhaust Fan, Model CUBE-180, Belt Drive, 1HP, 208-230/460V, 3Ph, Motor & Drives Unassembled, 2476-4647 CFM

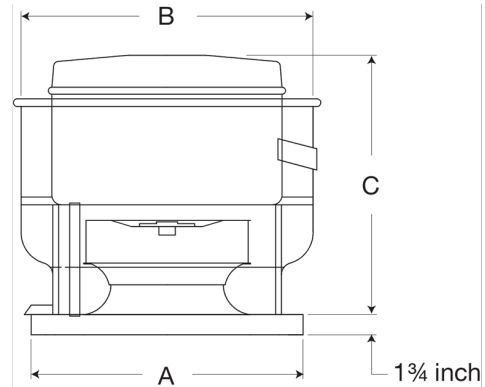


The CUBE is an aluminum exhaust fan specifically designed for roof or sidewall mounted applications where contaminated or grease laden exhaust air can be discharged directly upward, away from the roof or wall surface. The fans feature a one piece windband continuously welded to curb cap and double studded isolators for true vibration isolation.

- Windband is continually welded to the curb cap and drain trough for leakproof construction
- Centrifugal wheel provides high-efficiency and minimal sound
- One-piece aluminum windband with rolled bead provides extra rigidity
- Cooling fins located on top of fan wheel draw outside air through a large breather tube directly into the motor compartment extending motor life
- Wall or roof mountable
- Motor, pulleys and belt ship separately for field assembly

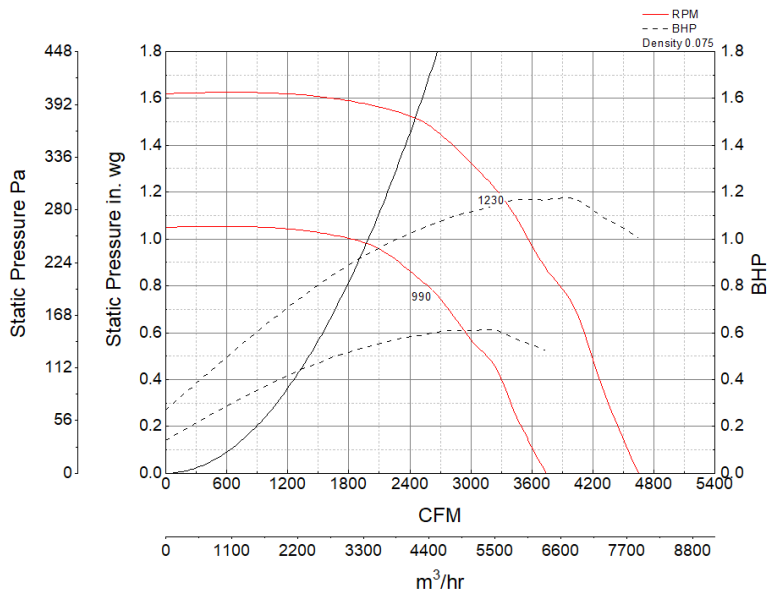
### Certifications

AMCA Sound & Air  
High Wind and Hurricane  
Seismic  
UL/cUL 762



A	B	C
30 in	35.375 in	28.625 in

## Performance Characteristics



## Construction Features

Drive Type	Belt Drive
Impeller Type	Centrifugal Wheel
Impeller Material	Aluminum
Housing Material	Spun Aluminum
Includes	Disconnect switch Unassembled drive package
Max Inlet Temp	400 °F
Certifications	AMCA Sound & Air High Wind and Hurricane Seismic UL/cUL 762
Drive Package Description	Motor and drives shipped loose
Required Accessory	Roof curb for new roof installations

## Motor Information

Service Factor	1.15
Phase	3
Voltage	208 230 460
HP	1
Hertz	60
Motor Enclosure	Open Drip Proof
RPM	1800
Motor Insulation	F
Thermal Protection	No
Nominal Efficiency	77

## Air and Sound Performance

Motor HP	Max BHP	Max Fan RPM	Min Fan RPM	Ps (in. wg)	0	0.125	0.25	0.375	0.5	0.625	0.75	0.875	1	1.25	1.5
1	1.17	1230	990	CFM	4,647	4,523	4,401	4,290	4,188	4,090	3,934	3,741	3,569	3,157	2,476
				Sones	20	19.4	18.6	18.2	17.8	17.5	17.3	16.9	16.6	15.7	15.2



- Greenheck Fan Corporation certifies that the model shown herein is licensed to bear the AMCA Seal.
- The ratings shown are based on tests and procedures performed in accordance with AMCA Publication 211 and AMCA Publication 311 and comply with the requirements of the AMCA Certified Ratings Program.
- Performance certified is for installation type A: Free inlet, Free outlet.
- Power rating (BHP/kW) includes transmission losses.
- Performance ratings do not include the effects of appurtenances (accessories).
- The sound ratings shown are loudness values in fan sones at 5 ft. (1.5 m) in a hemispherical free field calculated per AMCA Standard 301. Values shown are for installation type A: free inlet hemispherical sone levels.