



SKU
CUBE-161-LMDG-QD

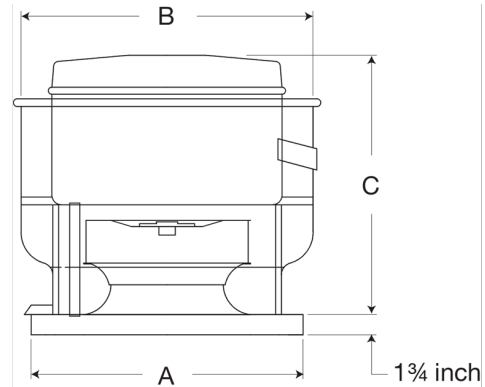
Nombre del Proyecto:
Marca:
Enviado por:
Fecha: 11/21/2019

Centrifugal Upblast Exhaust Fan, Model CUBE-161, Belt Drive, Less Motor & Drive Package, 1368-4111 CFM



The CUBE is an aluminum exhaust fan specifically designed for roof or sidewall mounted applications where contaminated or grease laden exhaust air can be discharged directly upward, away from the roof or wall surface. The fans feature a one piece windband continuously welded to curb cap and double studded isolators for true vibration isolation.

- Windband is continually welded to the curb cap and drain trough for leakproof construction
- Centrifugal wheel provides high-efficiency and minimal sound
- One-piece aluminum windband with rolled bead provides extra rigidity
- Cooling fins located on top of fan wheel draw outside air through a large breather tube directly into the motor compartment extending motor life
- Wall or roof mountable

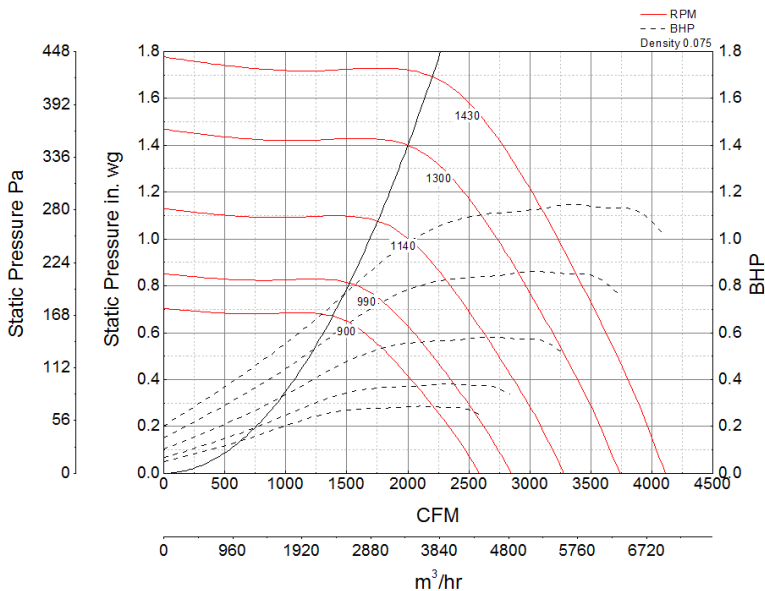


A	B	C
22 in	28.875 in	29.75 in

Certifications

- AMCA Sound & Air
- High Wind and Hurricane
- Seismic
- UL/cUL 762

Características de funcionamiento



Características de Construcción

Drive Type	Belt Drive
Impeller Type	Centrifugal Wheel
Impeller Material	Aluminum
Housing Material	Spun Aluminum
Includes	Disconnect switch
Max Inlet Temp	400 °F
Certifications	AMCA Sound & Air High Wind and Hurricane Seismic UL/cUL 762
Drive Package Description	No drive package included
Required Accessory	Roof curb for new roof installations

Información del motor

Motor Included	No
----------------	----

Rendimiento de Aire y Sonido

HP Motor	BHP Max	Max Fan RPM	Min Fan RPM	Ps (in. wg)	0	0.125	0.25	0.375	0.5	0.625	0.75	0.875	1	1.25	1.5
1/4	0.28	900	730	PCM	2,587	2,439	2,262	2,067	1,849	1,561	-	-	-	-	-
				Sones	11.4	10.9	10.5	10.2	10	9.9	-	-	-	-	-
1/3	0.20	800	760	PCM	2,300	2,127	1,920	1,687	1,368	-	-	-	-	-	-
				Sones	9.4	9.1	8.9	8.7	8.6	-	-	-	-	-	-
1/3	0.38	990	800	PCM	2,846	2,713	2,558	2,387	2,203	1,999	1,732	-	-	-	-
				Sones	12.9	12.4	11.9	11.6	11.3	11	10.8	-	-	-	-
1/2	0.30	920	740	PCM	2,645	2,501	2,329	2,140	1,933	1,671	-	-	-	-	-
				Sones	11.7	11.2	10.8	10.4	10.2	10.1	-	-	-	-	-
1/2	0.58	1140	920	PCM	3,277	3,161	3,035	2,896	2,745	2,587	2,421	2,232	1,983	-	-
				Sones	15.7	15.2	14.8	14.4	14.1	13.8	13.5	13.3	13	-	-
3/4	0.44	1040	850	PCM	2,990	2,863	2,718	2,559	2,389	2,208	2,000	1,679	-	-	-
				Sones	13.7	13.3	12.8	12.5	12.1	11.8	11.6	11.3	-	-	-
3/4	0.86	1300	1040	PCM	3,737	3,636	3,534	3,413	3,290	3,157	3,022	2,878	2,729	2,357	-
				Sones	19.1	18.7	18.3	17.9	17.5	17.2	17	16.8	16.6	16.1	-
1	0.59	1150	970	PCM	3,306	3,191	3,067	2,930	2,780	2,624	2,462	2,275	2,038	-	-
				Sones	15.9	15.5	15	14.6	14.3	14	13.8	13.5	13.2	-	-
1	1.15	1430	1150	PCM	4,111	4,019	3,926	3,824	3,713	3,599	3,479	3,358	3,228	2,953	2,615
				Sones	22	21	21	21	20	19.9	19.7	19.5	19.3	18.9	18.5



- Greenheck Fan Corporation certifies that the model shown herein is licensed to bear the AMCA Seal.
- The ratings shown are based on tests and procedures performed in accordance with AMCA Publication 211 and AMCA Publication 311 and comply with the requirements of the AMCA Certified Ratings Program.
- Performance certified is for installation type A: Free inlet, Free outlet.
- Power rating (BHP/kW) includes transmission losses.
- Performance ratings do not include the effects of appurtenances (accessories).
- The sound ratings shown are loudness values in fan sones at 5 ft. (1.5 m) in a hemispherical free field calculated per AMCA Standard 301. Values shown are for installation type A: free inlet hemispherical sone levels.