



SKU
CUBE-141-LMDG-QD

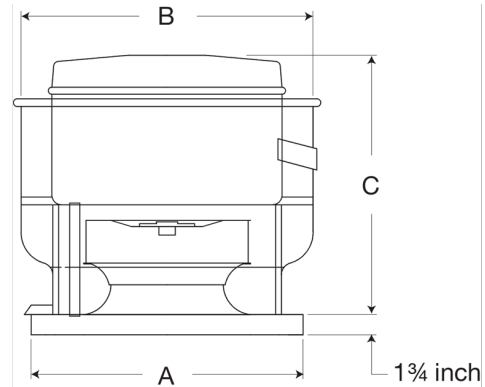
Job Name:
Mark:
Submitted By:
Date: 11/14/2019

Centrifugal Upblast Exhaust Fan, Model CUBE-141, Belt Drive, Less Motor & Drive Package, 635-3134 CFM



The CUBE is an aluminum exhaust fan specifically designed for roof or sidewall mounted applications where contaminated or grease laden exhaust air can be discharged directly upward, away from the roof or wall surface. The fans feature a one piece windband continuously welded to curb cap and double studded isolators for true vibration isolation.

- Windband is continually welded to the curb cap and drain trough for leakproof construction
- Centrifugal wheel provides high-efficiency and minimal sound
- One-piece aluminum windband with rolled bead provides extra rigidity
- Cooling fins located on top of fan wheel draw outside air through a large breather tube directly into the motor compartment extending motor life
- Wall or roof mountable

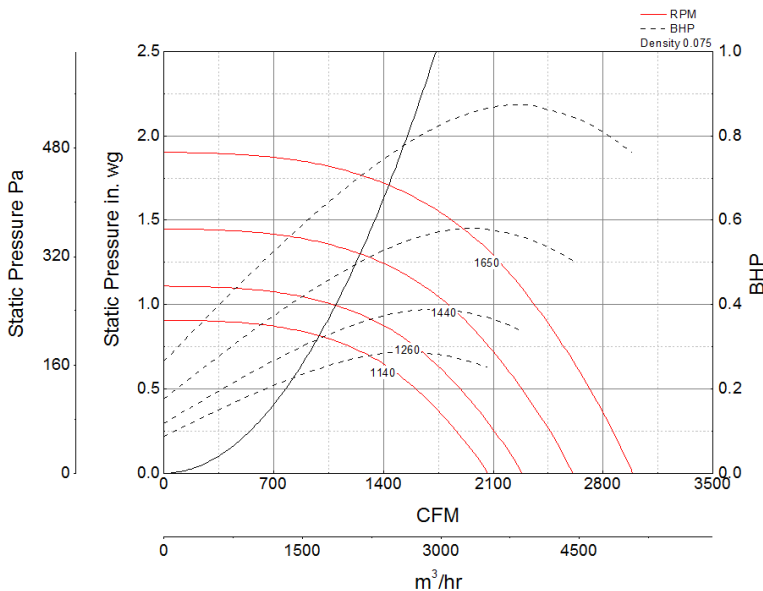


A	B	C
22 in	28.875 in	29.75 in

Certifications

- AMCA Sound & Air
- High Wind and Hurricane
- Seismic
- UL/cUL 762

Performance Characteristics



Construction Features

Drive Type	Belt Drive
Impeller Type	Centrifugal Wheel
Impeller Material	Aluminum
Housing Material	Spun Aluminum
Includes	Disconnect switch
Max Inlet Temp	400 °F
Certifications	AMCA Sound & Air High Wind and Hurricane Seismic UL/cUL 762
Drive Package Description	No drive package included
Required Accessory	Roof curb for new roof installations

Motor Information

Motor Included	No
----------------	----

Air and Sound Performance

Motor HP	Max BHP	Max Fan RPM	Min Fan RPM	Ps (in. wg)	0	0.125	0.25	0.375	0.5	0.625	0.75	0.875	1	1.25	1.5	1.75
1/4	0.08	740	600	CFM	1,340	1,182	964	-	-	-	-	-	-	-	-	-
				Sones	5.4	5.4	4.7	-	-	-	-	-	-	-	-	-
1/4	0.15	920	740	CFM	1,666	1,547	1,401	1,216	901	-	-	-	-	-	-	-
				Sones	8	8.2	7.9	7.5	6.8	-	-	-	-	-	-	-
1/4	0.29	1140	920	CFM	2,065	1,973	1,864	1,745	1,605	1,430	1,167	-	-	-	-	
				Sones	11.3	11.3	11	10.7	10.3	10.3	10	-	-	-	-	
1/3	0.05	650	620	CFM	1,177	989	635	-	-	-	-	-	-	-	-	
				Sones	3.7	3.5	2.9	-	-	-	-	-	-	-	-	
1/3	0.10	810	650	CFM	1,467	1,326	1,144	844	-	-	-	-	-	-	-	
				Sones	6.8	7	6.4	5.6	-	-	-	-	-	-	-	
1/3	0.20	1010	810	CFM	1,829	1,723	1,595	1,446	1,248	917	-	-	-	-	-	
				Sones	9.2	9.4	9.2	8.9	8.5	8.1	-	-	-	-	-	
1/3	0.39	1260	1010	CFM	2,282	2,201	2,107	2,003	1,889	1,757	1,602	1,396	1,074	-	-	
				Sones	12.8	12.9	12.3	12.2	11.9	11.4	11.6	11.3	11	-	-	
1/2	0.08	750	610	CFM	1,358	1,203	990	-	-	-	-	-	-	-	-	
				Sones	5.6	5.6	5	-	-	-	-	-	-	-	-	
1/2	0.16	930	750	CFM	1,685	1,567	1,423	1,242	949	-	-	-	-	-	-	
				Sones	8.1	8.3	8.1	7.6	7.1	-	-	-	-	-	-	
1/2	0.30	1160	930	CFM	2,101	2,011	1,905	1,788	1,655	1,493	1,261	-	-	-	-	
				Sones	11.6	11.5	11.1	11	10.5	10.5	10.2	-	-	-	-	
1/2	0.58	1440	1160	CFM	2,608	2,538	2,459	2,372	2,281	2,183	2,073	1,948	1,802	1,354	-	
				Sones	16	15.5	15.2	14.2	13.2	120.7	12.2	11.9	11.4	10.1	-	
3/4	0.45	1320	1100	CFM	2,391	2,315	2,225	2,127	2,023	1,905	1,769	1,600	1,365	-	-	
				Sones	13.6	13.7	13.1	13	12.7	12.3	12.2	12.2	11.8	-	-	
3/4	0.87	1650	1320	CFM	2,989	2,928	2,862	2,790	2,713	2,634	2,549	2,460	2,363	2,141	1,829	1,162
				Sones	22	21	19.7	21	18.6	15.4	13.8	13.2	12.5	14	12.5	9.4
1	0.52	1390	1190	CFM	2,518	2,445	2,362	2,271	2,174	2,068	1,949	1,818	1,643	906	-	
				Sones	14.9	14.7	14.2	13.2	12.9	12.5	12.1	11.4	11	9.9	-	
1	1.00	1730	1390	CFM	3,134	3,075	3,015	2,946	2,875	2,800	2,722	2,640	2,551	2,351	2,101	1,728
				Sones	26	23	22	24	24	18.2	15.2	14.2	13.4	14.2	13.9	13.9



- Greenheck Fan Corporation certifies that the model shown herein is licensed to bear the AMCA Seal.
- The ratings shown are based on tests and procedures performed in accordance with AMCA Publication 211 and AMCA Publication 311 and comply with the requirements of the AMCA Certified Ratings Program.
- Performance certified is for installation type A: Free inlet, Free outlet.
- Power rating (BHP/kW) includes transmission losses.
- Performance ratings do not include the effects of appurtenances (accessories).
- The sound ratings shown are loudness values in fan sones at 5 ft. (1.5 m) in a hemispherical free field calculated per AMCA Standard 301. Values shown are for installation type A: free inlet hemispherical sone levels.