



SKU
CRD1-8X8

Job Name:
Mark:
Submitted By:
Date: 11/21/2019

Ceiling Radiation Damper, 8 In Sq



Ceiling radiation dampers are designed to protect penetrations through the ceiling membrane of fire resistive floor ceiling and/or roof ceiling assemblies. These products are tested and listed in accordance with UL Standard 555C.

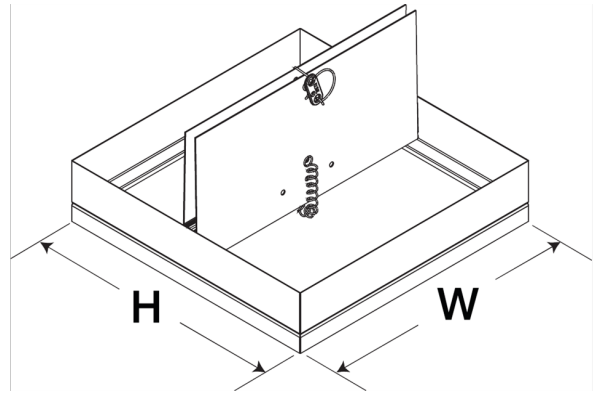
- UL tested and labeled for protection of ceiling openings in fire-rate floor/ceiling assemblies with fire resistance ratings of 3 hours or less
- Width and height furnished approximately 0.25 in. under size

Certifications

California State Fire Marshal (Listing # 3225-0981:0101)

UL 555C (Listing # R13446)

NFPA Standards 90A and 101



H	W
7.75 in	7.75 in

Performance Characteristics

No Fan Curve Available.

Construction Features

Blade Style	Butterfly
Closure Type	Fusible link
Frame Material	Galvanized Steel
Blade Material	Galvanized Steel
Certifications	California State Fire Marshal (Listing # 3225-0981:0101) UL 555C (Listing # R13446) NFPA Standards 90A and 101