



SKU  
SBE-2L42-20X-3-QD-DR2

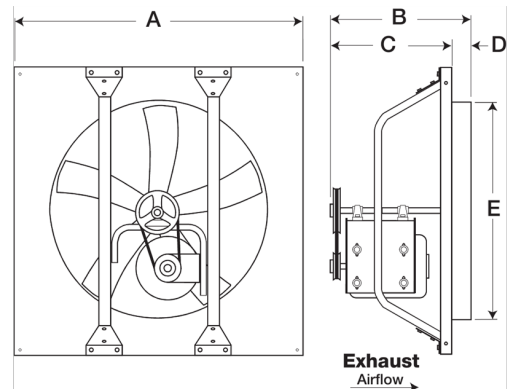
Nombre del Proyecto:  
Marca:  
Enviado por:  
Fecha: 11/13/2019

# Sidewall Propeller Exhaust Fan, Model SBE-2L42, Belt Drive, 2HP, 208-230/460V, 3Ph, Motor & Drives Unassembled, 12357-23767 CFM



Model SBE, belt drive, sidewall propeller exhaust fans are designed for commercial and industrial applications where high volumes of air and low static pressures are required.

- Galvanized steel drive frame with one-piece drawn venturi for structural rigidity
- 5-Blade galvanized steel propeller
- Adjustable motor pulley to optimize fan performance
- Pre-punched mounting holes on fan panel allows for easy installation and precise alignment.
- Motor, pulleys and belt ship separately for field assembly

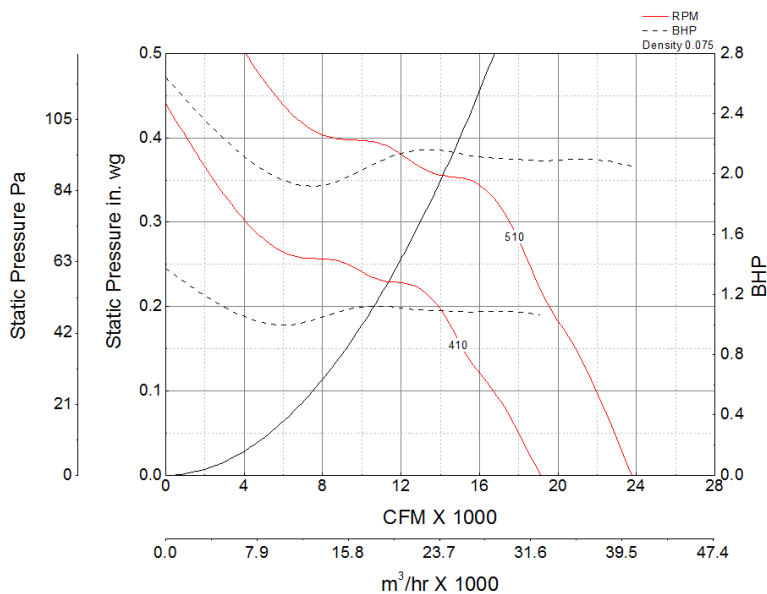


| A     | B     | C     | D    | E        |
|-------|-------|-------|------|----------|
| 50 in | 25 in | 20 in | 2 in | 42.75 in |

### Certifications

AMCA Sound & Air  
UL/cUL 705

### Características de funcionamiento



### Características de Construcción

|                           |  |
|---------------------------|--|
| Drive Type                | Belt Drive                                     |
| Impeller Type             | Propeller                                      |
| Impeller Material         | Galvanized Steel                               |
| Housing Material          | Galvanized Steel                               |
| Includes                  | Disconnect switch<br>Unassembled drive package |
| Max Inlet Temp            | 130 °F   |
| Certifications            | AMCA Sound & Air<br>UL/cUL 705                 |
| Drive Package Description | Motor and drives shipped loose                 |

### Información del motor

|                    |                   |
|--------------------|-------------------|
| Service Factor     | 1.15              |
| Phase              | 3                 |
| Voltage            | 208<br>230<br>460 |
| HP                 | 2                 |
| Hertz              | 60                |
| Motor Enclosure    | Open Drip Proof   |
| RPM                | 1800              |
| Motor Insulation   | F                 |
| Thermal Protection | No                |
| Nominal Efficiency | 86.5              |

### Rendimiento de Aire y Sonido

| HP Motor | BHP Max | Max Fan RPM | Min Fan RPM | Ps (in. wg) | 0      | 0.125  | 0.25   | 0.375  |
|----------|---------|-------------|-------------|-------------|--------|--------|--------|--------|
| 2        | 2.13    | 510         | 410         | PCM         | 23,767 | 21,422 | 18,544 | 12,357 |
|          |         |             |             | Sones       | 24     | 23     | 23     | 23     |



- Greenheck Fan Corporation certifies that the model shown herein is licensed to bear the AMCA seal. The ratings shown are based on tests and procedures performed in accordance with AMCA Publication 211 and AMCA Publication 311 and comply with the requirements of the AMCA Certified Ratings Program.
- Performance certified is for installation type A: Free inlet, Free outlet.
- Power rating (Bhp/kW) includes transmission losses.
- Performance ratings do not include the effects of appurtenances (accessories).
- The sound ratings shown are loudness values in fan sones at 5 ft. (1.5 m) in a hemispherical free field calculated per AMCA Standard 301. Values shown are for installation type A: free inlet hemispherical sone levels.