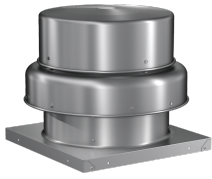




SKU
G-070-DGEX-QD

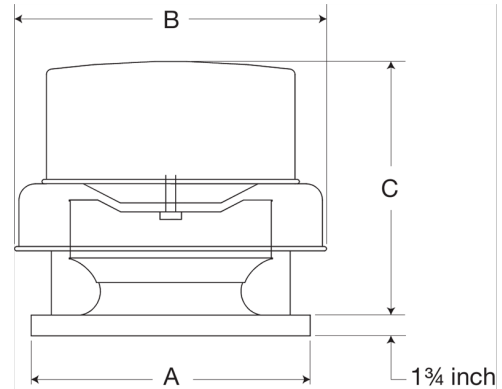
Nombre del Proyecto:
Marca:
Enviado por:
Fecha: 10/29/2020

Centrifugal Downblast Exhaust Fan, Model G-070, Direct Drive, 3-Speed, 115V, 1Ph, 179-374 CFM



Model G, direct drive centrifugal roof exhaust fans provide the industry's best performance and durability for general clean air applications where air is discharged downward, toward the roof. Units feature the most advanced motor cooling of any fan in its class.

- Centrifugal wheel provides high-efficiency and minimal sound
- True vibration isolation supports the motor and wheel for long life and quiet operation
- One-piece aluminum curb cap provides a weather-tight fit
- Positive motor cooling with fresh air results in maximum motor life
- Galvanized birdscreen protects the fan discharge from birds and small objects

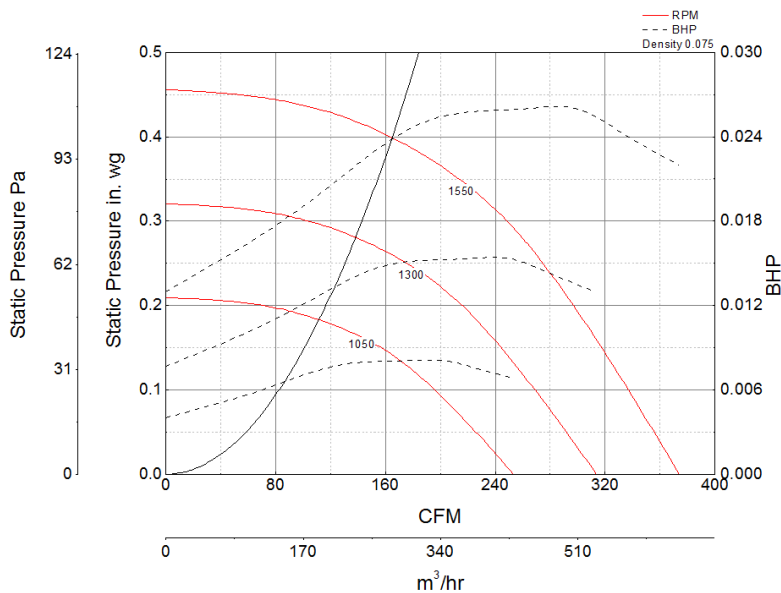


A	B	C
17 in	19.375 in	12.125 in

Certifications

AMCA Sound & Air
High Wind and Hurricane
Seismic
UL/cUL 705

Características de funcionamiento



Características de Construcción

Drive Type	Direct Drive
Impeller Type	Centrifugal Wheel
Impeller Material	Aluminum
Housing Material	Spun Aluminum
Max Inlet Temp	180 °F
Certifications	AMCA Sound & Air High Wind and Hurricane Seismic UL/cUL 705
Speed Controllable	Yes
Required Accessory	Roof curbs for new installations

Información del motor

Service Factor	1
Phase	1
Voltage	115
HP	1/30
Hertz	60
Motor Enclosure	n/a
RPM	1550
Motor Insulation	B
Thermal Protection	Auto
Nominal Efficiency	25.5

Rendimiento de Aire y Sonido

HP Motor	BHP Max	Max Fan RPM	Min Fan RPM	Ps (in. wg)	0	0.125	0.25	0.375
0.0333	0.03	1550	1050	PCM	374	327	274	190
				Sones	5.6	5.1	4.7	4.4



- Greenheck Fan Corporation certifies that the model shown herein is licensed to bear the AMCA Seal. The ratings shown are based on tests and procedures performed in accordance with AMCA Publication 211 and AMCA Publication 311 and comply with the requirements of the AMCA Certified Ratings Program.
- Performance certified is for installation type A: Free inlet, Free outlet.
- Power rating (BHP/kW) does not include transmission losses.
- Performance ratings include the effects of birdscreen.
- The sound ratings shown are loudness values in fan sones at 5 ft. (1.5 m) in a hemispherical free field calculated per AMCA Standard 301. Values shown are for installation type A: free inlet hemispherical sone levels.

California Residents

 **WARNING**

This product can expose you to chemicals including cadmium used in the processing of corrosion resistant metal and fasteners, which is known to the State of California to cause cancer and birth defects or other reproductive harm. For more information visit www.P65Warnings.ca.gov