



SKU
SBE-2L30-15X-3-QD-DR2

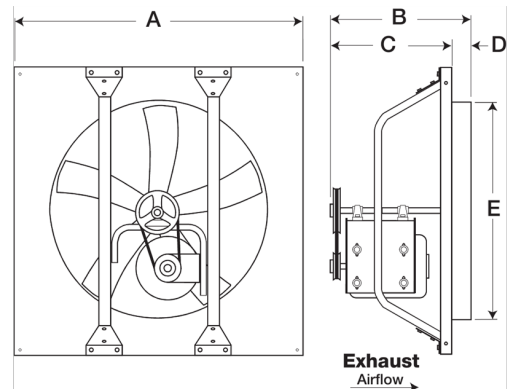
Job Name:
Mark:
Submitted By:
Date: 10/21/2020

Sidewall Propeller Exhaust Fan, Model SBE-2L30, Belt Drive, 1 1/2HP, 208-230/460V, 3Ph, Motor & Drives Unassembled, 8275-11087 CFM



Model SBE, belt drive, sidewall propeller exhaust fans are designed for commercial and industrial applications where high volumes of air and low static pressures are required.

- Galvanized steel drive frame with one-piece drawn venturi for structural rigidity
- 5-Blade galvanized steel propeller
- Adjustable motor pulley to optimize fan performance
- Pre-punched mounting holes on fan panel allows for easy installation and precise alignment.
- Motor, pulleys and belt ship separately for field assembly

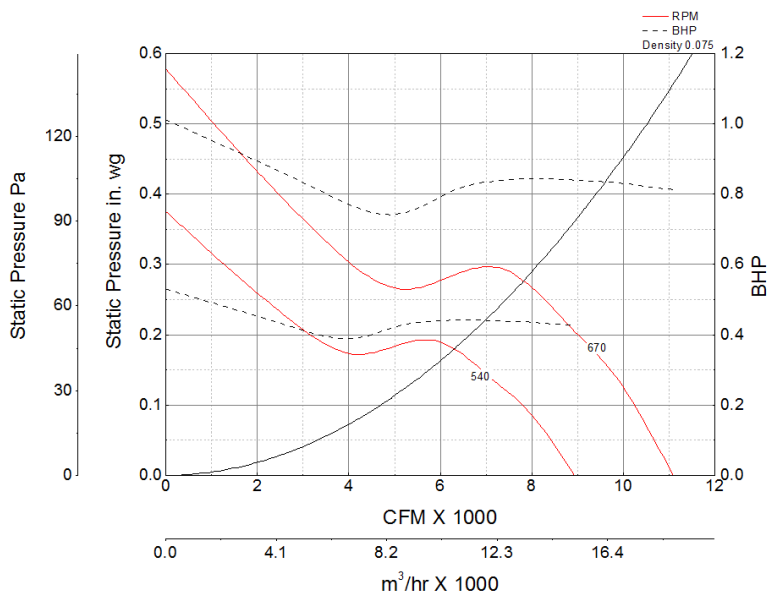


A	B	C	D	E
38 in	21.5 in	17.25 in	1.25 in	30.625 in

Certifications

AMCA Sound & Air
UL/cUL 705

Performance Characteristics



Construction Features

Drive Type	Belt Drive
Impeller Type	Propeller
Impeller Material	Galvanized Steel
Housing Material	Galvanized Steel
Includes	Unassembled drive package
Max Inlet Temp	130 °F
Certifications	AMCA Sound & Air UL/cUL 705
Drive Package Description	Motor and drives shipped loose

Air and Sound Performance

Motor HP	Max BHP	Max Fan RPM	Min Fan RPM	Ps (in. wg)	0	0.125	0.25
				CFM	11,087	9,974	8,275
1 1/2	0.84	670	540	Sones	18.1	17.2	16.7



- Greenheck Fan Corporation certifies that the model shown herein is licensed to bear the AMCA seal. The ratings shown are based on tests and procedures performed in accordance with AMCA Publication 211 and AMCA Publication 311 and comply with the requirements of the AMCA Certified Ratings Program.
- Performance certified is for installation type A: Free inlet, Free outlet.
- Power rating (Bhp/kW) includes transmission losses.
- Performance ratings do not include the effects of appurtenances (accessories).
- The sound ratings shown are loudness values in fan sones at 5 ft. (1.5 m) in a hemispherical free field calculated per AMCA Standard 301. Values shown are for installation type A: free inlet hemispherical sone levels.

California Residents

 **WARNING**

This product can expose you to chemicals including cadmium used in the processing of corrosion resistant metal and fasteners, which is known to the State of California to cause cancer and birth defects or other reproductive harm. For more information visit www.P65Warnings.ca.gov