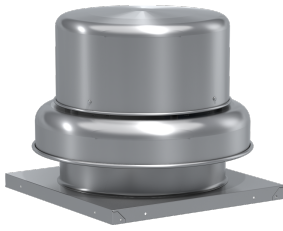




SKU  
GB-200-LMDX-QD

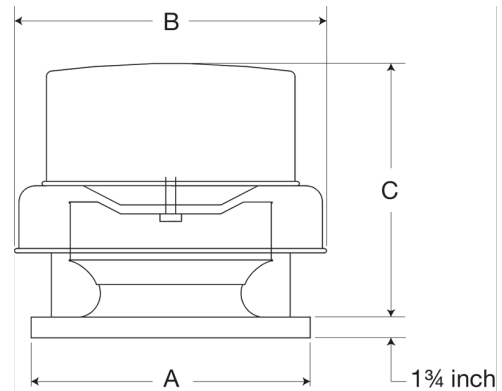
Nombre del Proyecto:  
Marca:  
Enviado por:  
Fecha: 07/14/2020

# Centrifugal Downblast Exhaust Fan, Model GB-200, Belt Drive, Less Motor & Drive Package, 1707-6640 CFM



Model GB, belt drive centrifugal roof exhaust fans are designed to meet the general clean air exhaust requirements for industrial and commercial buildings. Units feature a fully rolled windband bead for increased stability and easy transport. Fresh outside air is drawn in under the motor cover to maximize motor life.

- Centrifugal wheel provides high-efficiency and minimal sound
- True vibration isolation supports the motor and wheel for long life and quiet operation
- One-piece aluminum curb cap provides a weather-tight fit
- Positive motor cooling with fresh air results in maximum motor life
- Galvanized birdscreen protects the fan discharge from birds and small objects

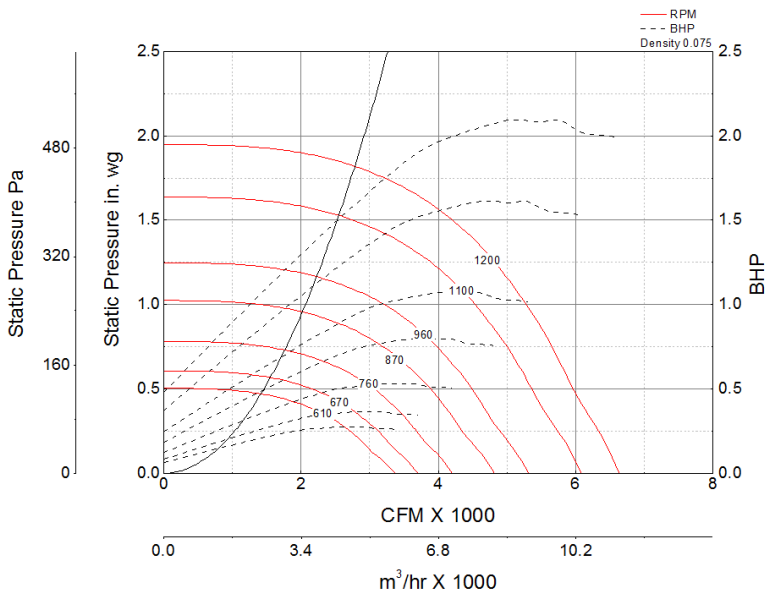


A	B	C
30 in	35.5 in	28 in

## Certifications

AMCA Sound & Air  
High Wind and Hurricane  
Seismic  
UL/cUL 705

## Características de funcionamiento



## Características de Construcción

Drive Type	Belt Drive
Impeller Type	Centrifugal Wheel
Impeller Material	Aluminum
Housing Material	Spun Aluminum
Max Inlet Temp	180 °F
Certifications	AMCA Sound & Air High Wind and Hurricane Seismic UL/cUL 705
Drive Package Description	No drive package included
Required Accessory	Roof curb for new installations

## Información del motor

Motor Included	No
----------------	----

## Rendimiento de Aire y Sonido

HP Motor	BHP Max	Max Fan RPM	Min Fan RPM	Ps (in. wg)	0	0.125	0.25	0.375	0.5	0.625	0.75	0.875	1	1.25	1.5	1.75
1/4	0.14	490	450	PCM	2,712	2,308	1,707	-	-	-	-	-	-	-	-	-
				Sones	7.1	6.5	5.2	-	-	-	-	-	-	-	-	-
1/4	0.27	610	490	PCM	3,376	3,044	2,708	2,203	-	-	-	-	-	-	-	-
				Sones	8.7	8.2	7.6	6.4	-	-	-	-	-	-	-	-
1/3	0.19	540	470	PCM	2,988	2,620	2,186	-	-	-	-	-	-	-	-	-
				Sones	7.7	7.2	6.3	-	-	-	-	-	-	-	-	-
1/3	0.36	670	540	PCM	3,708	3,409	3,117	2,744	2,146	-	-	-	-	-	-	-
				Sones	9.8	9.3	8.8	8	6.8	-	-	-	-	-	-	-
1/2	0.53	760	610	PCM	4,206	3,953	3,683	3,407	3,063	2,528	-	-	-	-	-	-
				Sones	12	11.1	10.7	10.3	9.7	9	-	-	-	-	-	-
3/4	0.41	700	640	PCM	3,874	3,591	3,308	2,974	2,494	-	-	-	-	-	-	-
				Sones	10.5	9.8	9.4	8.8	7.8	-	-	-	-	-	-	-
3/4	0.80	870	700	PCM	4,814	4,607	4,349	4,132	3,881	3,582	3,198	2,616	-	-	-	-
				Sones	14.6	13.8	13.3	12.8	12.2	11.8	11.2	11.6	-	-	-	-
1	0.29	620	600	PCM	3,431	3,104	2,778	2,308	-	-	-	-	-	-	-	-
				Sones	8.9	8.4	7.8	6.7	-	-	-	-	-	-	-	-
1	0.55	770	620	PCM	4,261	4,013	3,744	3,477	3,141	2,643	-	-	-	-	-	-
				Sones	12.3	11.3	11	10.5	10	9.4	-	-	-	-	-	-
1	1.07	960	770	PCM	5,312	5,129	4,897	4,689	4,488	4,250	3,977	3,644	3,182	-	-	-
				Sones	16.8	16.1	15.4	15.1	14.5	14.1	13.7	13.1	13	-	-	-
1 1/2	0.82	880	810	PCM	4,870	4,666	4,409	4,195	3,951	3,658	3,293	2,765	-	-	-	-
				Sones	14.8	14	13.5	13	12.4	12	11.5	11.7	-	-	-	-
1 1/2	1.61	1100	880	PCM	6,087	5,927	5,742	5,533	5,363	5,187	4,994	4,773	4,527	3,866	-	-
				Sones	21	20	19.6	19	18.8	18.4	18	17.7	17.3	16.3	-	-
2	2.09	1200	960	PCM	6,640	6,494	6,336	6,145	5,969	5,813	5,651	5,477	5,274	4,829	4,177	3,077
				Sones	24	24	23	23	22	22	22	21	21	20	18.9	16.9



- Greenheck Fan Corporation certifies that the model shown herein is licensed to bear the AMCA Seal. The ratings shown are based on tests and procedures performed in accordance with AMCA Publication 211 and AMCA Publication 311 and comply with the requirements of the AMCA Certified Ratings Program.
- Performance certified is for installation type A: Free inlet, Free outlet.
- Power rating (BHP/kW) includes transmission losses.
- Performance ratings include the effects of birdscreen.
- The sound ratings shown are loudness values in fan sones at 5 ft. (1.5 m) in a hemispherical free field calculated per AMCA Standard 301. Values shown are for installation type A: free inlet hemispherical sone levels.

## California Residents

### WARNING

This product can expose you to chemicals including cadmium used in the processing of corrosion resistant metal and fasteners, which is known to the State of California to cause cancer and birth defects or other reproductive harm. For more information visit [www.P65Warnings.ca.gov](http://www.P65Warnings.ca.gov)