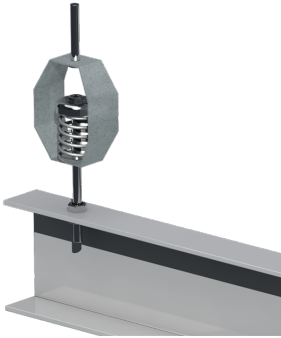




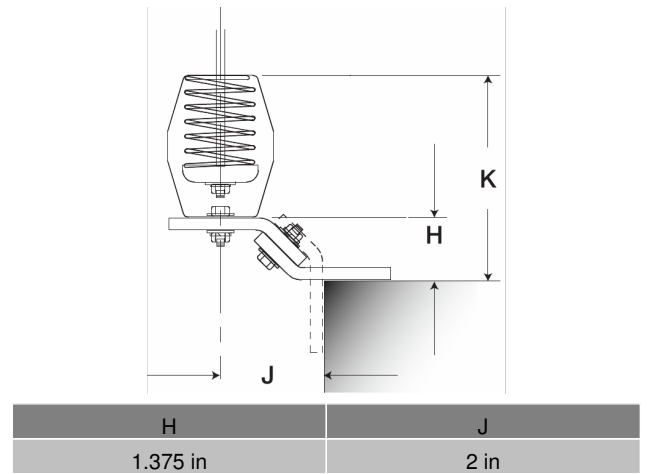
SKU
850346

Job Name:
Mark:
Submitted By:
Date: 02/17/2020

Vibration Isolation Kit, Spring Hanging, For use with Model BSQ 200-240



Complete hanging isolation kit with spring isolators to reduce vibration and sound levels. Support brackets included are designed to permit mounting of the fan with the motor located on top, bottom or side.



Performance Characteristics

No Fan Curve Available.

California Residents

⚠ WARNING

This product can expose you to chemicals including cadmium used in the processing of corrosion resistant metal and fasteners, which is known to the State of California to cause cancer and birth defects or other reproductive harm. For more information visit www.P65Warnings.ca.gov