



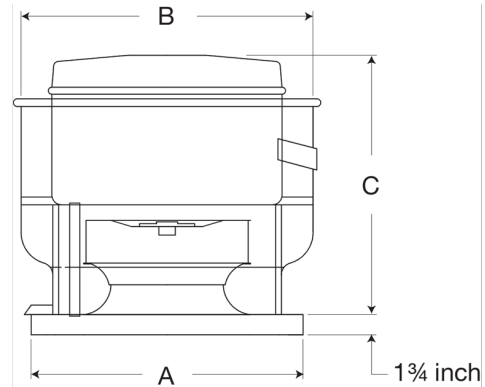
SKU  
CUE-080-1VG119XQD

Job Name:  
Mark:  
Submitted By:  
Date: 03/04/2021

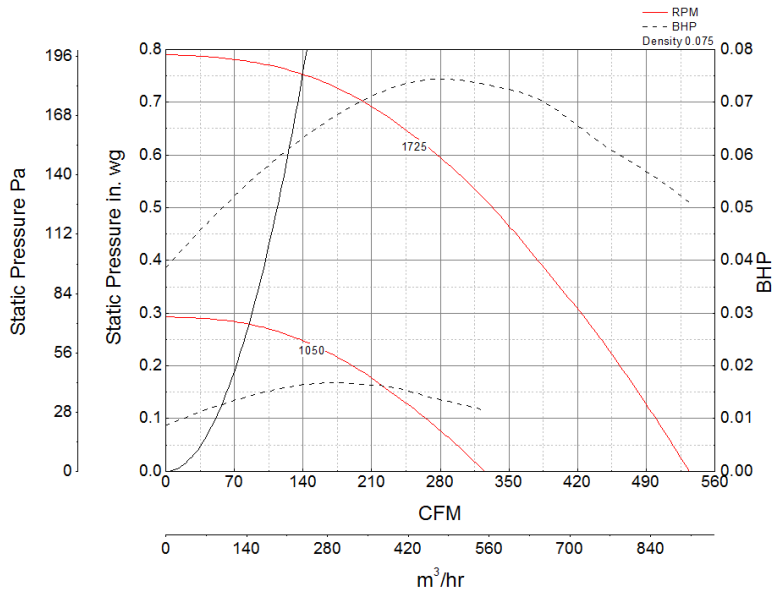
# Centrifugal Upblast Exhaust Fan, Variable Speed, Model CUE-080, Direct Drive, Vari-Green EC motor, 1/10HP, 115/208-230V, 1Ph, 133-534 CFM

Model CUE is a direct drive exhaust fan specifically designed for roof or sidewall mounted applications discharging the air directly upward, away from the roof or wall surface. The fans feature a one piece windband continuously welded to curb cap and double studded isolators for true vibration isolation.

- Centrifugal wheel provides high-efficiency and minimal sound
- Cooling fins located on top of fan wheel draw outside air through a large breather tube directly into the motor compartment extending motor life
- Energy-efficient, speed controllable, Vari-green® motor
- One-piece aluminum windband with rolled bead provides extra rigidity
- Windband is continually welded to the curb cap and drain trough for leakproof construction
- Wall or roof mountable



## Performance Characteristics



- Greenheck Fan Corporation certifies that the model shown herein is licensed to bear the AMCA Seal. The ratings shown are based on tests and procedures performed in accordance with AMCA Publication 211 and AMCA Publication 311 and comply with the requirements of the AMCA Certified Ratings Program.
- Performance certified is for installation type A: Free inlet, Free outlet.
- Power rating (BHP/kW) does not include transmission losses.
- Performance ratings do not include the effects of appurtenances (accessories).
- The sound ratings shown are loudness values in fan sones at 5 ft. (1.5 m) in a hemispherical free field calculated per AMCA Standard 301. Values shown are for installation type A: free inlet hemispherical sone levels.