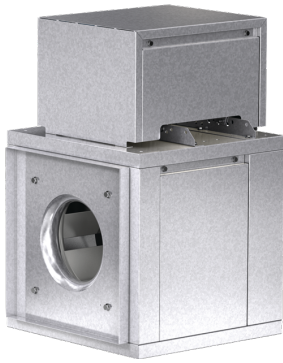




SKU  
BSQ-240-LMDX-QD

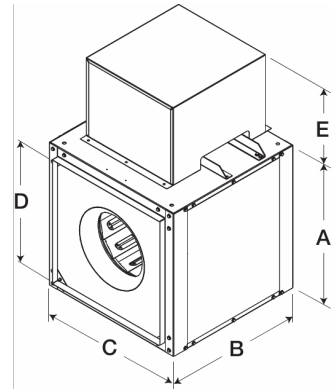
Job Name:  
Mark:  
Submitted By:  
Date: 07/05/2020

# Centrifugal Inline Fan, Model BSQ-240, Belt Drive, Less Motor & Drive Package, 2947-9814 CFM



Model BSQ centrifugal inline fan features a unique combination of installation flexibility, rugged construction, ease of service, high efficiency and low sound levels. These compact fans are the ideal selection for indoor clean air applications including intake, exhaust, return or make-up air.

- Removable access panels allow easy access to all interior components
- Aluminum, centrifugal wheel delivers maximum efficiency
- Inlet and discharge duct collars allow for easy duct connection
- Rigid, galvanized steel housing construction
- Factory tested bearings designed specifically for air handling applications with a minimum L<sub>10</sub> life in excess of 100,000 hours

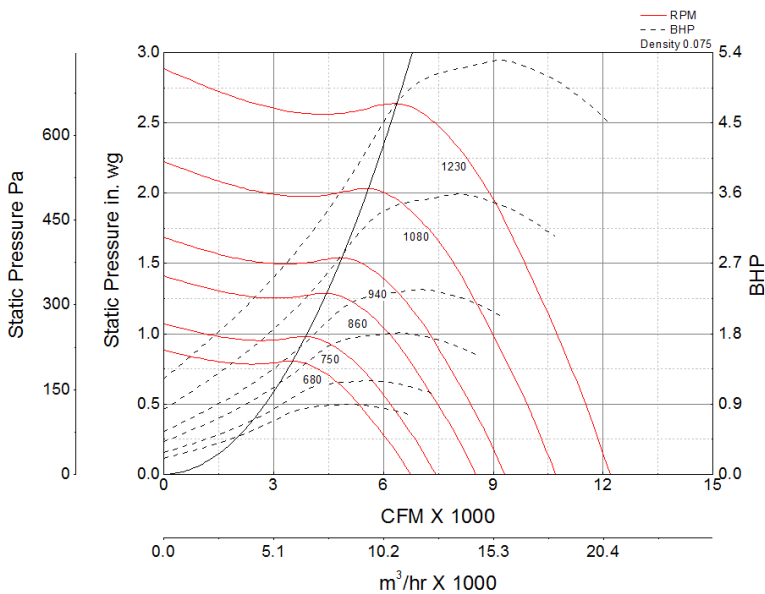


A	B	C	D	E
39 in	34 in	39 in	34.875 in	19 in

### Certifications

AMCA Sound & Air  
UL/cUL 705

### Performance Characteristics



Note: The maximum FRPM for each motor horsepower is shown. For additional performance ranges available for this fan, refer to the performance table.

### Construction Features

Drive Type	Belt Drive
Impeller Type	Centrifugal Wheel
Impeller Material	Aluminum
Housing Material	Galvanized Steel
Includes	Motor cover
Max Inlet Temp	160 °F
Certifications	AMCA Sound & Air UL/cUL 705
Drive Package Description	No drive package included

### Motor Information

Motor Included	No
----------------	----

## Air and Sound Performance

Motor HP	Max BHP	Max Fan RPM	Min Fan RPM	Ps (in. wg)	0	0.125	0.25	0.375	0.5	0.625	0.75	0.875	1	1.25	1.5	1.75	2	2.25	2.5			
3/4	0.47	550	500	CFM	5,452	5,063	4,608	4,095	3,259	-	-	-	-	-	-	-	-	-	-	-		
				Sones	12.2	11.8	11.3	10.8	10.3	-	-	-	-	-	-	-	-	-	-	-	-	-
3/4	0.89	680	550	CFM	6,741	6,433	6,091	5,719	5,317	4,847	4,198	-	-	-	-	-	-	-	-	-	-	
				Sones	15.3	15.1	14.7	14.2	13.7	13	12.4	-	-	-	-	-	-	-	-	-	-	-
1	0.31	480	430	CFM	4,758	4,298	3,749	2,947	-	-	-	-	-	-	-	-	-	-	-	-	-	
				Sones	10.3	9.8	9.2	8.8	-	-	-	-	-	-	-	-	-	-	-	-	-	-
1	0.61	600	480	CFM	5,948	5,599	5,194	4,745	4,213	3,133	-	-	-	-	-	-	-	-	-	-	-	-
				Sones	13.3	13	12.5	12	11.5	10.9	-	-	-	-	-	-	-	-	-	-	-	-
1	1.19	750	600	CFM	7,435	7,156	6,859	6,533	6,183	5,814	5,384	4,825	-	-	-	-	-	-	-	-	-	-
				Sones	17.3	17.2	17	16.5	16	15.4	14.7	13.9	-	-	-	-	-	-	-	-	-	-
1 1/2	0.93	690	570	CFM	6,840	6,537	6,201	5,838	5,444	4,994	4,386	-	-	-	-	-	-	-	-	-	-	-
				Sones	15.6	15.4	15	14.5	14	13.3	12.6	-	-	-	-	-	-	-	-	-	-	-
1 1/2	1.81	860	690	CFM	8,525	8,282	8,038	7,760	7,475	7,170	6,855	6,528	6,128	4,826	-	-	-	-	-	-	-	-
				Sones	21	21	20	20	20	19.4	18.7	18.1	17.4	16.4	-	-	-	-	-	-	-	
2	1.24	760	650	CFM	7,534	7,259	6,968	6,646	6,303	5,941	5,531	5,010	4,000	-	-	-	-	-	-	-	-	-
				Sones	17.6	17.5	17.3	16.8	16.3	15.7	15	14.2	13.8	-	-	-	-	-	-	-	-	
2	2.35	940	760	CFM	9,319	9,096	8,873	8,633	8,373	8,113	7,830	7,543	7,243	6,532	5,215	-	-	-	-	-	-	-
				Sones	24	24	23	23	23	23	22	21	20	19.3	18.4	-	-	-	-	-		
3	1.87	870	720	CFM	8,625	8,384	8,143	7,870	7,588	7,290	6,980	6,656	6,276	5,166	-	-	-	-	-	-	-	-
				Sones	21	21	21	21	20	19.8	19.1	18.4	17.7	16.8	-	-	-	-	-	-		
3	3.57	1080	870	CFM	10,706	10,512	10,319	10,125	9,910	9,684	9,457	8,225	8,976	8,468	7,898	7,181	5,836	-	-	-	-	
				Sones	31	30	30	29	29	29	28	27	25	24	23	22	21	-	-			
5	2.75	990	820	CFM	9,814	9,603	9,391	9,174	8,927	8,679	8,424	8,153	7,877	7,270	6,466	-	-	-	-	-	-	
				Sones	26	26	25	25	25	25	24	23	22	21	20	-	-	-	-			
5	5.28	1230	990	CFM	12,193	12,023	11,853	11,683	11,512	11,324	11,125	10,926	10,727	10,305	9,866	9,409	8,870	8,241	7,293	-	-	
				Sones	42	41	40	39	38	38	38	38	36	34	31	29	28	28	27	26		



- Greenheck Fan Corporation certifies that the model shown herein is licensed to bear the AMCA Seal. The ratings shown are based on tests and procedures performed in accordance with AMCA Publication 211 and AMCA Publication 311 and comply with the requirements of the AMCA Certified Ratings Program.
- Performance certified is for installation type B: Free inlet, Ducted outlet.
- Power rating (BHP/kW) includes transmission losses.
- Performance ratings do not include the effects of appurtenances (accessories).
- The inlet sound ratings shown are loudness values in fan sones at 5 ft. (1.5 m) in a hemispherical free field calculated per AMCA Standard 301. Values shown are for installation type B: free inlet hemispherical sone levels.

## California Residents

### WARNING

This product can expose you to chemicals including cadmium used in the processing of corrosion resistant metal and fasteners, which is known to the State of California to cause cancer and birth defects or other reproductive harm. For more information visit [www.P65Warnings.ca.gov](http://www.P65Warnings.ca.gov)