



SKU
WD100-24X24

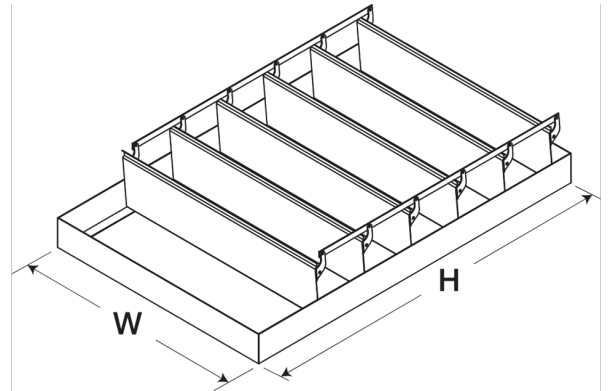
Nombre del Proyecto:
Marca:
Enviado por:
Fecha: 08/13/2020

Backdraft damper, horizontal mount, Model WD-100, 24 In Sq, No Flange



The WD-100 series are horizontally mounted backdraft dampers designed to allow vertical airflow up and prevent reverse airflow. The dampers are opened by air pressure differential (assisted by springs) and closed by gravity. The damper features a flangeless, galvanized steel frame and aluminum blades.

- Width and height furnished approximately 0.125 in. under size



H	W
23.875 in	23.875 in

Características de funcionamiento

No hay curva del ventilador disponible.

Características de Construcción

Frame Material	Galvanized Steel
Frame Gauge	18
Frame Type	No Flange
Blade Material	Aluminum
Blade Gauge	0.025

California Residents

⚠ WARNING

This product can expose you to chemicals including cadmium used in the processing of corrosion resistant metal and fasteners, which is known to the State of California to cause cancer and birth defects or other reproductive harm. For more information visit www.P65Warnings.ca.gov