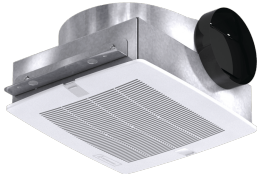




SKU  
SP-B70-QD

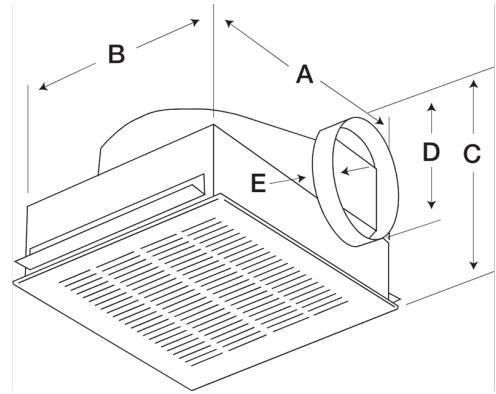
Nombre del Proyecto:  
Marca:  
Enviado por:  
Fecha: 05/10/2021

## Bathroom Exhaust Fan, Low Profile, Model SP-B70, 115V, 1Ph, 35-89 CFM



Low profile bathroom exhaust fan, Model SP-B features a forward-curved wheel for low sound and high efficiency. Units are ideal for residential, multi-family or hotel applications.

- ENERGY STAR rated
- Compact size for height restricted areas
- Round standard outlet for quick, easy connections
- Integral damper prevents unwanted backdrafts
- Speed controllable
- Designer grille included

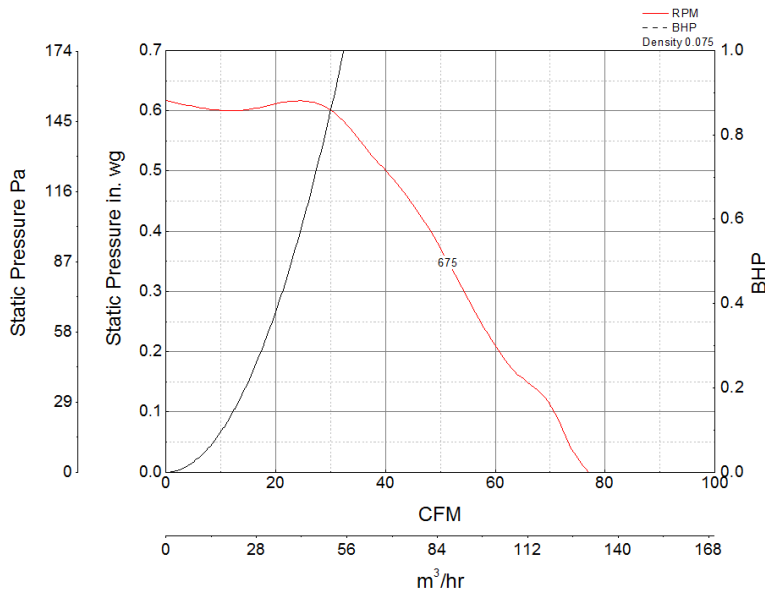


A	B	C	D	E
13.875 in	11.5 in	7 in	6 in	1.25 in

### Certifications

AMCA Air & Sound  
UL/cUL 507

### Características de funcionamiento



### Características de Construcción

Drive Type	Direct Drive
Impeller Type	Centrifugal Wheel
Impeller Material	Polypropylene
Housing Material	Galvanized Steel
Includes	Backdraft damper Mounting brackets
Certifications	AMCA Air & Sound UL/cUL 507
Speed Controllable	Yes

### Información del motor

Service Factor	1
Phase	1
Voltage	115
Hertz	60
Motor Enclosure	n/a
RPM	675
Motor Insulation	B
Thermal Protection	No
Nominal Efficiency	19.1
Watts	4.5

### Rendimiento de Aire y Sonido

Watts	Max Fan RPM	Min Fan RPM	Ps (in. wg)	0	0.125	0.25	0.375
17.1	675	540	PCM	89	71	54	35
			Sones	0.8	0.9	1.4	2



- Greenheck Fan Corporation certifies that the SP models shown herein are licensed to bear the AMCA seal.
- The ratings shown are based on tests and procedures performed in accordance with AMCA Publication 211 and AMCA Publication 311 and comply with the requirements of the AMCA Certified Ratings Program.
- The SP models are not AMCA certified with 50 hertz motors.

## California Residents

 **WARNING**

This product can expose you to chemicals including cadmium used in the processing of corrosion resistant metal and fasteners, which is known to the State of California to cause cancer and birth defects or other reproductive harm. For more information visit [www.P65Warnings.ca.gov](http://www.P65Warnings.ca.gov)