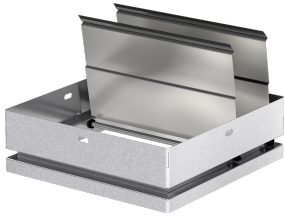




SKU  
BD90-8X8

Job Name:  
Mark:  
Submitted By:  
Date: 07/10/2020

## Backdraft damper, horizontal mount, Model BD-90, 8 In Sq, No Flange, Performance up to 1,500 ft/min

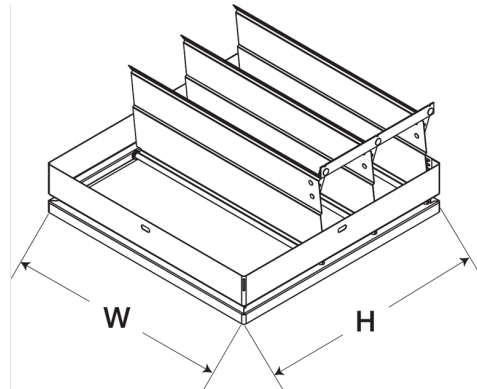


The BD-90 is a horizontal mount backdraft damper designed to allow vertical airflow up and prevent reverse airflow. The dampers are opened by air pressure differential and closed by gravity. The damper features a flangeless, galvanized steel frame and aluminum blades.

- AMCA certified for Air Leakage and Air Performance
- Width and height furnished approximately 0.125 in. under size

### Certifications

AMCA Air & Leakage



H	W
7.875 in	7.875 in

### Performance Characteristics

No Fan Curve Available.

### Construction Features

Frame Material	Galvanized Steel
Frame Gauge	24
Frame Type	No Flange
Blade Material	Aluminum
Blade Gauge	0.016
Certifications	AMCA Air & Leakage

### California Residents

**⚠ WARNING**

This product can expose you to chemicals including cadmium used in the processing of corrosion resistant metal and fasteners, which is known to the State of California to cause cancer and birth defects or other reproductive harm. For more information visit [www.P65Warnings.ca.gov](http://www.P65Warnings.ca.gov)