



SKU
CSP-A1410-QD

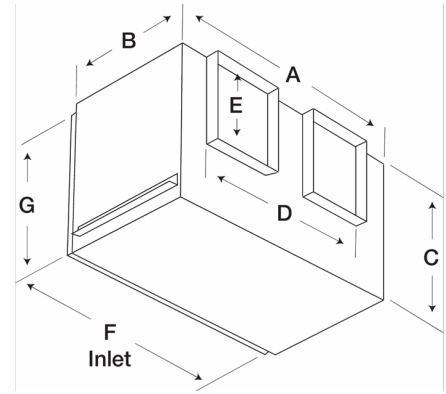
Job Name:
Mark:
Submitted By:
Date: 10/29/2020

Inline Cabinet Fan, Model CSP-A1410, 115V, 1 Ph, 1043-1584 CFM



Model CSP inline fans are high performance fans designed for exhaust, supply or return air applications where low sound level are required. Units feature an insulated, galvanized steel housing with a forward-curved wheel.

- Acoustic insulation absorbs sound for quiet operation
- Vertical electrical access to eliminate drilling holes
- Large electrical junction box for easy wiring
- Adjustable mounting brackets for multiple installation conditions
- Embossed, galvanized steel housing for rigidity
- Speed controllable motor
- Easy access to internal components through access panels

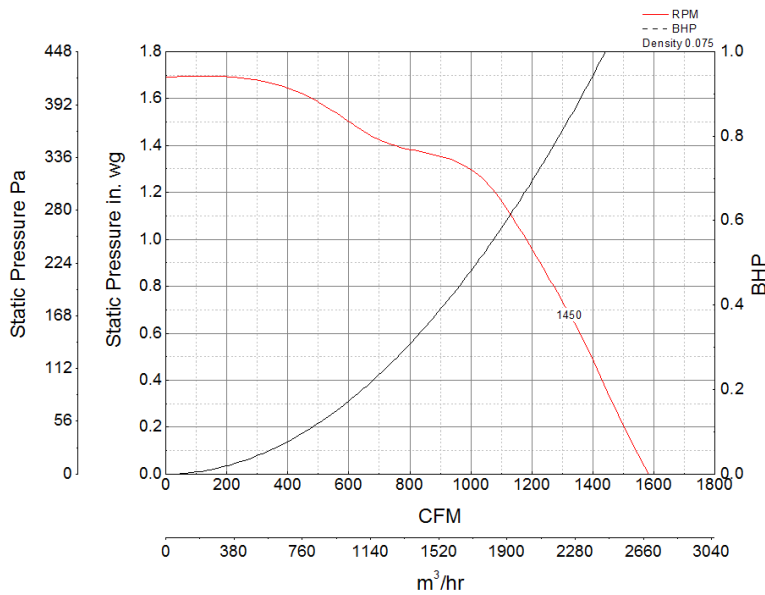


| A | B | C | D | E | F | G |
|----------|-----------|---------|------------|------|-----------|----------|
| 23.75 in | 14.375 in | 14.5 in | 17.4375 in | 8 in | 22.625 in | 13.25 in |

Certifications

AMCA Air
UL/cUL 507

Performance Characteristics



Construction Features

| | |
|--------------------|---|
| Drive Type | Direct Drive |
| Impeller Type | Centrifugal Wheel |
| Impeller Material | Polypropylene |
| Housing Material | Galvanized Steel |
| Includes | Access Panel Backdraft damper Mounting brackets |
| Certifications | AMCA Air UL/cUL 507 |
| Speed Controllable | Yes |

Motor Information

| | |
|--------------------|------|
| Service Factor | 1 |
| Phase | 1 |
| Voltage | 115 |
| HP | 1/3 |
| Hertz | 60 |
| Motor Enclosure | n/a |
| RPM | 1625 |
| Motor Insulation | B |
| Thermal Protection | Auto |
| Nominal Efficiency | 65 |

Air and Sound Performance

| Watts | Max Fan RPM | Min Fan RPM | Ps (in. wg) | 0 | 0.125 | 0.25 | 0.375 | 0.5 | 0.625 | 0.75 | 0.875 | 1 | 1.25 |
|-------|-------------|-------------|-------------|-------|-------|-------|-------|-------|-------|-------|-------|-------|-------|
| 871 | 1450 | 1160 | CFM | 1,584 | 1,533 | 1,484 | 1,440 | 1,396 | 1,345 | 1,294 | 1,238 | 1,182 | 1,043 |
| | | | Sones | 4.2 | 4.2 | 4.2 | 4.2 | 4.3 | 4.5 | 4.6 | 4.8 | 4.8 | 4.8 |



- Greenheck Fan Corporation certifies that the CSP models shown herein are licensed to bear the AMCA seal.
- The ratings shown are based on tests and procedures performed in accordance with AMCA Publication 211 and comply with the requirements of the AMCA Certified Ratings Program.
- The CSP models are not AMCA certified with 50 hertz motors.

California Residents

 **WARNING**

This product can expose you to chemicals including cadmium used in the processing of corrosion resistant metal and fasteners, which is known to the State of California to cause cancer and birth defects or other reproductive harm. For more information visit www.P65Warnings.ca.gov