



SKU
BD330-18X18

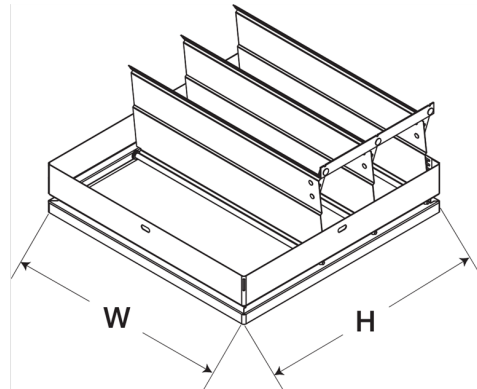
Nombre del Proyecto:
Marca:
Enviado por:
Fecha: 07/15/2020

Backdraft damper, vertical mount, Model BD-330, 18 In Sq, No Flange, Performance up to 1,500 ft/min



The BD-330 is a vertical mount backdraft damper designed to allow horizontal airflow and prevent reverse airflow. The dampers are opened by air pressure differential and closed by gravity. The damper features a flangeless, galvanized steel frame with aluminum blades.

- Complies with the International Energy Conservation Code (IECC) and ASHRAE 90.1 leakage requirements for non-motorized dampers
- AMCA certified for Air Leakage and Air Performance
- Width and height furnished approximately 0.125 in. under size



H	W
17.875 in	17.875 in

Certifications

AMCA Air & Leakage

Características de funcionamiento

No hay curva del ventilador disponible.

Características de Construcción

Frame Material	Galvanized Steel
Frame Gauge	24
Frame Type	No Flange
Blade Material	Aluminum
Blade Gauge	0.016
Certifications	AMCA Air & Leakage

California Residents

WARNING

This product can expose you to chemicals including cadmium used in the processing of corrosion resistant metal and fasteners, which is known to the State of California to cause cancer and birth defects or other reproductive harm. For more information visit www.P65Warnings.ca.gov