



SKU
BD330-16X16

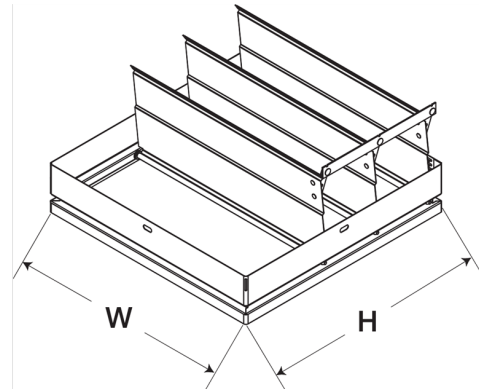
Job Name:
Mark:
Submitted By:
Date: 10/26/2020

Backdraft damper, vertical mount, Model BD-330, 16 In Sq, No Flange, Performance up to 1,500 ft/min



The BD-330 is a vertical mount backdraft damper designed to allow horizontal airflow and prevent reverse airflow. The dampers are opened by air pressure differential and closed by gravity. The damper features a flangeless, galvanized steel frame with aluminum blades.

- Complies with the International Energy Conservation Code (IECC) and ASHRAE 90.1 leakage requirements for non-motorized dampers
- AMCA certified for Air Leakage and Air Performance
- Width and height furnished approximately 0.125 in. under size



| | |
|-----------|-----------|
| H | W |
| 15.875 in | 15.875 in |

Certifications

AMCA Air & Leakage

Performance Characteristics

No Fan Curve Available.

Construction Features

| | |
|----------------|--------------------|
| Frame Material | Galvanized Steel |
| Frame Gauge | 24 |
| Frame Type | No Flange |
| Blade Material | Aluminum |
| Blade Gauge | 0.016 |
| Certifications | AMCA Air & Leakage |

California Residents

⚠ WARNING

This product can expose you to chemicals including cadmium used in the processing of corrosion resistant metal and fasteners, which is known to the State of California to cause cancer and birth defects or other reproductive harm. For more information visit www.P65Warnings.ca.gov