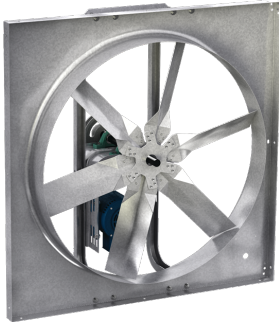




SKU
SBE-1H24-LMDX-QD

Job Name:
Mark:
Submitted By:
Date: 09/20/2020

Sidewall Propeller Exhaust Fan, Model SBE-1H24, Belt Drive, Less Motor & Drive Package, 631-5281 CFM

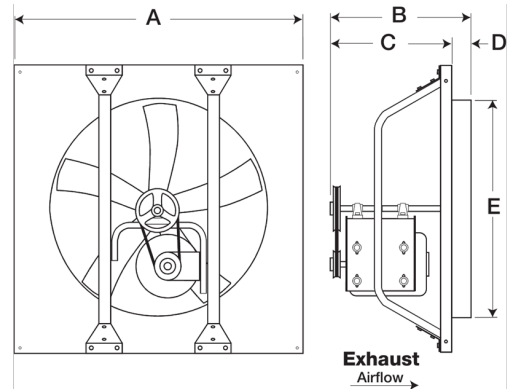


Model SBE, belt drive, sidewall propeller exhaust fans are designed for commercial and industrial applications where high volumes of air and low static pressures are required.

- Galvanized steel drive frame with one-piece drawn venturi for structural rigidity
- 6-blade galvanized steel propeller
- Pre-punched mounting holes on fan panel allows for easy installation and precise alignment.

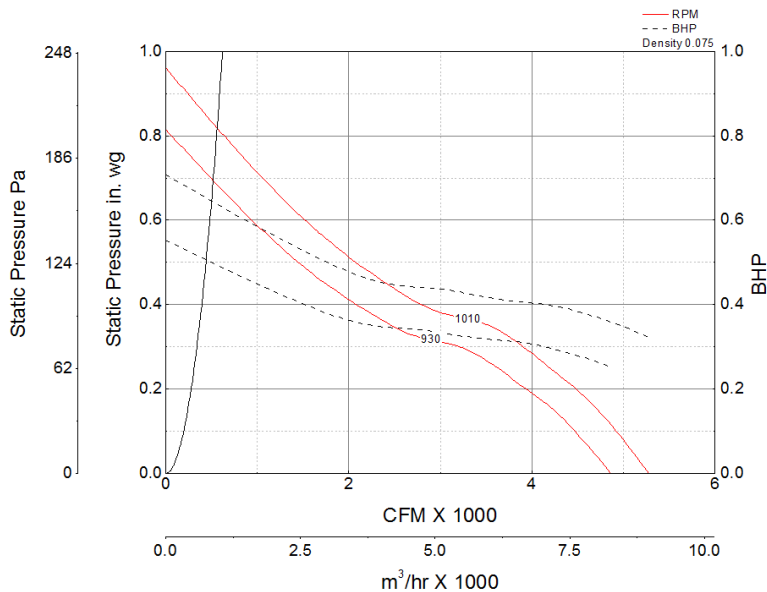
Certifications

AMCA Sound & Air
UL/cUL 705



| A | B | C | D | E |
|-------|---------|-----------|---------|-----------|
| 32 in | 19.5 in | 16.125 in | 1.25 in | 24.625 in |

Performance Characteristics



Note: The maximum FRPM for each motor horsepower is shown. For additional performance ranges available for this fan, refer to the performance table.

Construction Features

| | |
|---------------------------|--------------------------------|
| Drive Type | Belt Drive |
| Impeller Type | Propeller |
| Impeller Material | Galvanized Steel |
| Housing Material | Galvanized Steel |
| Max Inlet Temp | 130 °F |
| Certifications | AMCA Sound & Air UL/cUL 705 |
| Drive Package Description | No drive package included |

Motor Information

| | |
|----------------|----|
| Motor Included | No |
|----------------|----|

Air and Sound Performance

| Motor HP | Max BHP | Max Fan RPM | Min Fan RPM | Ps (in. wg) | 0 | 0.125 | 0.25 | 0.375 | 0.5 | 0.625 | 0.75 |
|----------|---------|-------------|-------------|-------------|-------|-------|-------|-------|-------|-------|------|
| | | | | | CFM | Sones | CFM | Sones | CFM | Sones | CFM |
| 1/4 | 0.12 | 600 | 520 | | 3,137 | 2,056 | 643 | - | - | - | - |
| | | | | | 8.7 | 8.4 | 8.2 | - | - | - | |
| 1/4 | 0.23 | 750 | 600 | | 3,922 | 3,212 | 1,778 | 894 | - | - | - |
| | | | | | 12.1 | 12.1 | 11.1 | 10.9 | - | - | |
| 1/4 | 0.46 | 930 | 750 | | 4,863 | 4,353 | 3,622 | 2,268 | 1,465 | 883 | - |
| | | | | | 17.5 | 17.3 | 17.1 | 16.1 | 15.8 | 16.1 | - |
| 1/3 | 0.14 | 650 | 570 | | 3,399 | 2,502 | 985 | - | - | - | - |
| | | | | | 9.7 | 9.6 | 8.5 | - | - | - | |
| 1/3 | 0.32 | 810 | 650 | | 4,235 | 3,610 | 2,347 | 1,299 | 631 | - | - |
| | | | | | 13.9 | 14.2 | 13.2 | 12.1 | 13.2 | - | - |
| 1/3 | 0.60 | 1010 | 810 | | 5,281 | 4,819 | 4,193 | 3,093 | 2,108 | 1,439 | 904 |
| | | | | | 21 | 20 | 19.8 | 19.3 | 18 | 18.3 | 18.7 |



- Greenheck Fan Corporation certifies that the model shown herein is licensed to bear the AMCA seal. The ratings shown are based on tests and procedures performed in accordance with AMCA Publication 211 and AMCA Publication 311 and comply with the requirements of the AMCA Certified Ratings Program.
- Performance certified is for installation type A: Free inlet, Free outlet.
- Power rating (Bhp/kW) includes transmission losses.
- Performance ratings do not include the effects of appurtenances (accessories).
- The sound ratings shown are loudness values in fan sones at 5 ft. (1.5 m) in a hemispherical free field calculated per AMCA Standard 301. Values shown are for installation type A: free inlet hemispherical sone levels.

California Residents

 **WARNING**

This product can expose you to chemicals including cadmium used in the processing of corrosion resistant metal and fasteners, which is known to the State of California to cause cancer and birth defects or other reproductive harm. For more information visit www.P65Warnings.ca.gov