



SKU  
BD320-14X14

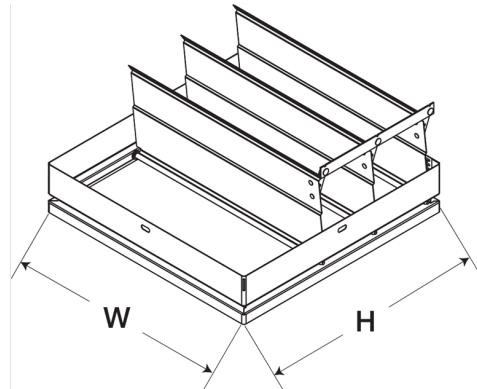
Job Name:  
Mark:  
Submitted By:  
Date: 10/25/2020

## Backdraft damper, vertical mount, Model BD-320, 14 In Sq, Flange on Discharge, Performance up to 1,500 ft/min



The BD-320 is a vertical mount backdraft damper designed to allow horizontal airflow and prevent reverse airflow. The dampers are opened by air pressure differential and closed by gravity. The damper features a galvanized steel frame with a flange on the discharge side and aluminum blades.

- Complies with the International Energy Conservation Code (IECC) and ASHRAE 90.1 leakage requirements for non-motorized dampers
- AMCA certified for Air Leakage and Air Performance
- Width and height furnished approximately 0.125 in. under size



H	W
13.875 in	13.875 in

### Certifications

AMCA Air & Leakage

### Performance Characteristics

No Fan Curve Available.

### Construction Features

Frame Material	Galvanized Steel
Frame Gauge	24
Frame Type	Flange on Discharge
Blade Material	Aluminum
Blade Gauge	0.016
Certifications	AMCA Air & Leakage

### California Residents

**⚠ WARNING**

This product can expose you to chemicals including cadmium used in the processing of corrosion resistant metal and fasteners, which is known to the State of California to cause cancer and birth defects or other reproductive harm. For more information visit [www.P65Warnings.ca.gov](http://www.P65Warnings.ca.gov)