



SKU
SP-80-VG-QD

Nombre del Proyecto:
Marca:
Enviado por:
Fecha: 02/23/2020

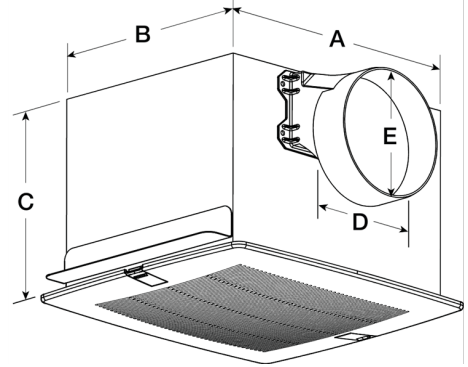
Bathroom Exhaust Fan, Variable Speed, Model SP-80-VG, 115V, 1Ph, 38-80 CFM



- ENERGY STAR rated
- EC motor
- Designer grille included

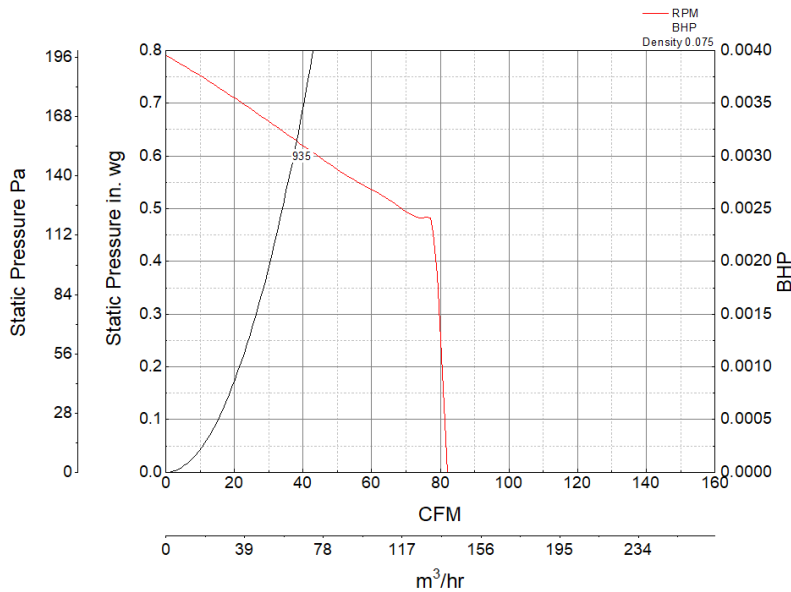
Certifications

AMCA Air & Sound
UL/cUL 507



A	B	C	D	E
11.375 in	10.5 in	7.625 in	4 in	4 in

Características de funcionamiento



Características de Construcción

Drive Type	Direct Drive
Impeller Type	Centrifugal Wheel
Impeller Material	Polypropylene
Housing Material	Galvanized Steel
Includes	Backdraft damper EC motor. Mounting brackets
Certifications	AMCA Air & Sound UL/cUL 507
Speed Controllable	Yes

Información del motor

Phase	1
Voltage	115
Watts	6.1

Rendimiento de Aire y Sonido

Watts	Max Fan RPM	Min Fan RPM	Ps (in. wg)	0	0.125	0.25	0.375	0.5	0.625
6.1	935	700	PCM	80	80	80	78	65	38
			Sones	<0.3	<0.3	0.6	1.4	2.2	3



California Residents

 **WARNING**

This product can expose you to chemicals including cadmium used in the processing of corrosion resistant metal and fasteners, which is known to the State of California to cause cancer and birth defects or other reproductive harm. For more information visit www.P65Warnings.ca.gov