



SKU  
BD100-8X8

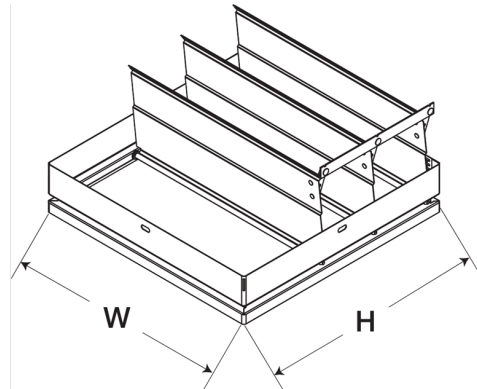
Nombre del Proyecto:  
Marca:  
Enviado por:  
Fecha: 01/16/2021

## Backdraft damper, horizontal mount, Model BD-100, 8 In Sq, No Flange, Performance up to 1,500 ft/min



The BD-100 is a horizontal mount backdraft damper designed to allow vertical airflow up and prevent reverse airflow. The dampers are opened by air pressure differential (assisted by springs) and closed by gravity. The damper features a flangeless, galvanized steel frame with aluminum blades.

- Complies with the International Energy Conservation Code (IECC) and ASHRAE 90.1 leakage requirements for non-motorized dampers
- AMCA certified for Air Leakage and Air Performance
- Width and height furnished approximately 0.125 in. under size



H	W
7.875 in	7.875 in

### Certifications

AMCA Air & Leakage

### Características de funcionamiento

No hay curva del ventilador disponible.

### Características de Construcción

Frame Material	Galvanized Steel
Frame Gauge	24
Frame Type	No Flange
Blade Material	Aluminum
Blade Gauge	0.016
Certifications	AMCA Air & Leakage

### California Residents

**⚠ WARNING**

This product can expose you to chemicals including cadmium used in the processing of corrosion resistant metal and fasteners, which is known to the State of California to cause cancer and birth defects or other reproductive harm. For more information visit [www.P65Warnings.ca.gov](http://www.P65Warnings.ca.gov)