



SKU
SE1-18-429-A7X-QD

Nombre del Proyecto:
Marca:
Enviado por:
Fecha: 10/27/2020

Sidewall Propeller Exhaust Fan, Model SE1-18, Direct Drive, 3/4HP, 115/208-230V, 1Ph, 2024-4886 CFM

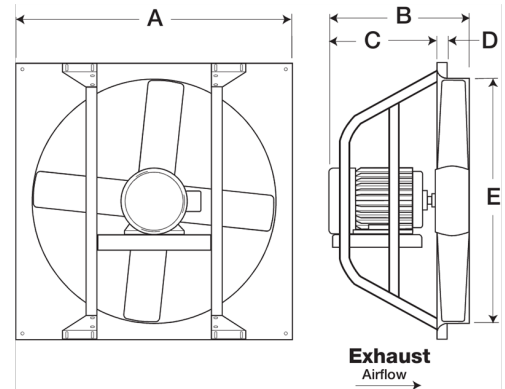


Model SE1, direct drive, sidewall propeller exhaust fans provide general ventilation in commercial and industrial applications. Units feature corrosion resistant aluminum propellers and are ideal for quietly exhausting air in schools, storage facilities, and manufacturing and assembly areas.

- Galvanized steel fan panel with one-piece drawn venturi
- Zinc plated, heavy welded wire guard
- Aluminum propeller for corrosion resistance.

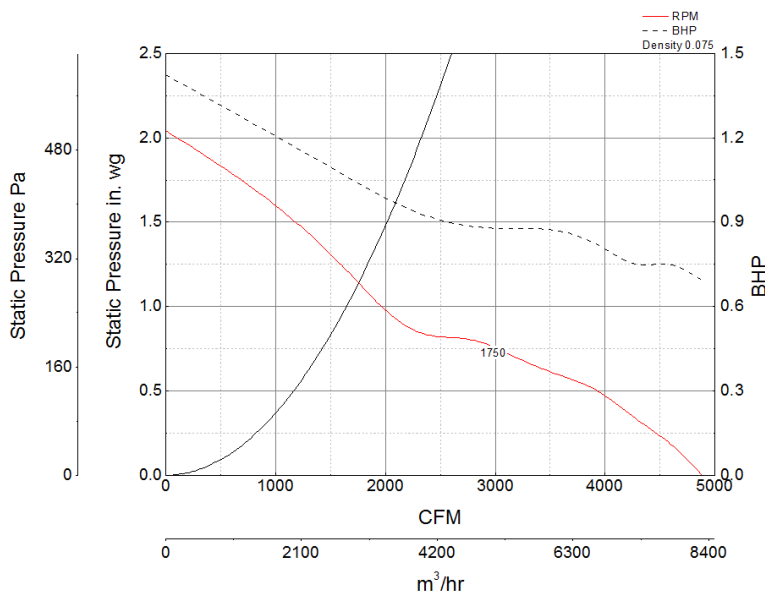
Certifications

AMCA Sound & Air
UL/cUL 705



A	B	C	D	E
24 in	14 in	10.875 in	1 in	18.375 in

Características de funcionamiento



Características de Construcción

Drive Type	Direct Drive
Impeller Type	Propeller
Impeller Material	Aluminum
Housing Material	Galvanized Steel
Max Inlet Temp	104 °F
Certifications	AMCA Sound & Air UL/cUL 705
Speed Controllable	Yes

Información del motor

Service Factor	1
Phase	1
Voltage	115 230
HP	3/4
Hertz	60
Motor Enclosure	Open Drip Proof
RPM	1800
Motor Insulation	B
Thermal Protection	Auto
Nominal Efficiency	75.5
NEMA Frame Size	48

Rendimiento de Aire y Sonido

HP Motor	BHP Max	Max Fan RPM	Min Fan RPM	Ps (in. wg)	0	0.125	0.25	0.375	0.5	0.75	0.875	1	1.25
3/4	0.99	1750	0	PCM	4,886	4,691	4,460	4,196	3,926	3,461	2,984	2,241	2,024
				Sones	17.4	16.9	16.4	16.4	16.6	18.4	22	29	31



- Greenheck Fan Corporation certifies that the model shown herein is licensed to bear the AMCA seal. The ratings shown are based on tests and procedures performed in accordance with AMCA Publication 211 and AMCA Publication 311 and comply with the requirements of the AMCA Certified Ratings Program.
- Performance certified is for installation type A: Free inlet, Free outlet.
- Power rating (Bhp/kW) does not include transmission losses.
- Performance ratings do not include the effects of appurtenances (accessories).
- The sound ratings shown are loudness values in fan sones at 5 ft. (1.5 m) in a hemispherical free field calculated per AMCA Standard 301. Values shown are for installation type A: free inlet hemispherical sone levels.

California Residents

 **WARNING**

This product can expose you to chemicals including cadmium used in the processing of corrosion resistant metal and fasteners, which is known to the State of California to cause cancer and birth defects or other reproductive harm. For more information visit www.P65Warnings.ca.gov