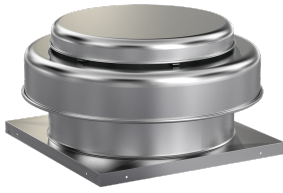




SKU
AE-12-433-A4X-QD

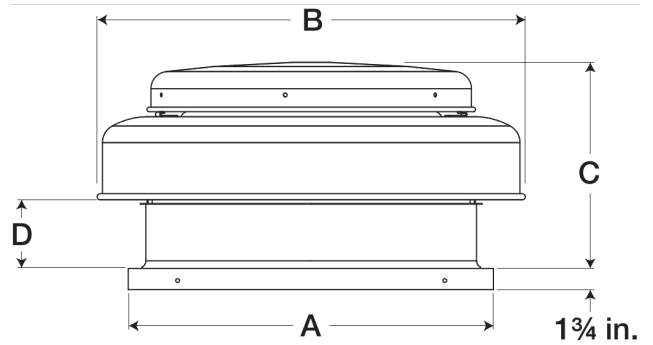
Job Name:
Mark:
Submitted By:
Date: 01/22/2021

Axial Roof Exhaust Fan, Model AE-12, Direct Drive, 1/4HP, 115V, 1Ph, 231-1556 CFM



Model AE, direct drive axial exhaust fan is designed for economy and reliability in low pressure/low volume applications. Typical applications include general clean air ventilation.

- Fabricated aluminum propeller with steeply pitched blades designed for low rpm, generating low sound levels
- Aluminum motor cover attached with stainless steel hardware for easy removal and access to motor
- One-piece, heavy gauge aluminum fan shroud with rolled bead for added strength
- Aluminum curb cap with prepunched mounting holes to ensure correct attachment to roof

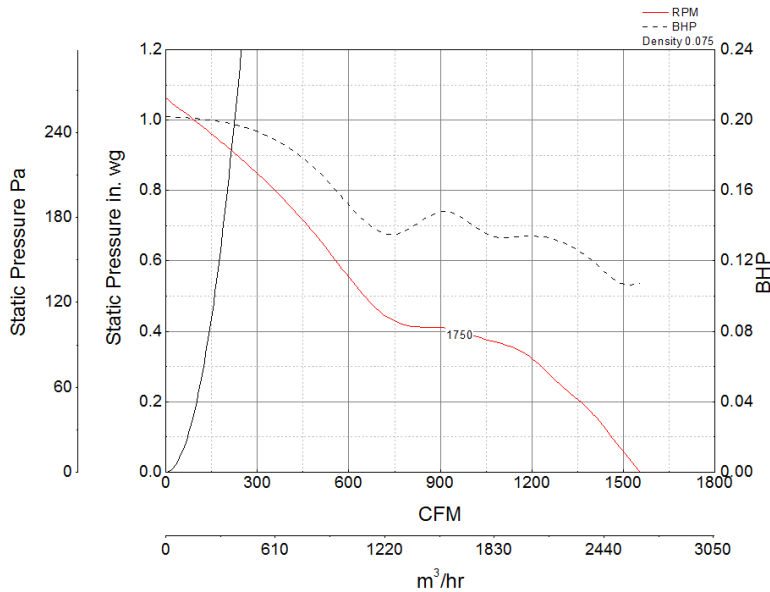


A	B	C	D
22 in	28.625 in	16.5 in	6.25 in

Certifications

AMCA Sound & Air
UL/cUL 705

Performance Characteristics



Construction Features

Drive Type	Direct Drive
Impeller Type	Propeller
Impeller Material	Aluminum
Housing Material	Spun Aluminum
Includes	Birdscreen
Max Inlet Temp	130 °F
Certifications	AMCA Sound & Air UL/cUL 705
Speed Controllable	Yes
Required Accessory	Roof Curb

Motor Information

Service Factor	1
Phase	1
Voltage	115
HP	1/4
Hertz	60
Motor Enclosure	Open Drip Proof
RPM	1800
Motor Insulation	B
Thermal Protection	Auto
Nominal Efficiency	1
NEMA Frame Size	48

Air and Sound Performance

Motor HP	Max BHP	Max Fan RPM	Min Fan RPM	P _s (in. wg)	0	0.125	0.25	0.375	0.5	0.625	0.75	0.875
1/4	0.19	1750	0	CFM	1,556	1,437	1,291	1,055	672	538	386	231
				Sones	9	8.8	8.9	10.5	14.5	15	15.7	16.6



- Greenheck Fan Corporation certifies that the model shown herein is licensed to bear the AMCA Seal. The ratings shown are based on tests and procedures performed in accordance with AMCA Publication 211 and AMCA Publication 311 and comply with the requirements of the AMCA Certified Ratings Program.
- Performance certified is for installation type A: Free inlet, Free outlet.
- Power rating (BHP/kW) does not include transmission losses.
- Performance ratings include the effects of birdscreen.
- The sound ratings shown are loudness values in fan sones at 5 ft. (1.5 m) in a hemispherical free field calculated per AMCA Standard 301. Values shown are for installation type A: free inlet hemispherical sone levels.

California Residents

 **WARNING**

This product can expose you to chemicals including cadmium used in the processing of corrosion resistant metal and fasteners, which is known to the State of California to cause cancer and birth defects or other reproductive harm. For more information visit www.P65Warnings.ca.gov