



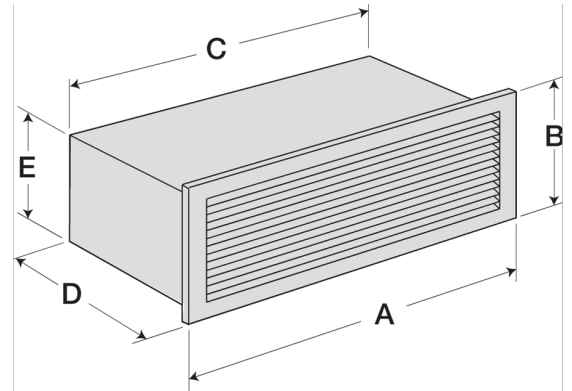
SKU
WL-18X6

Nombre del Proyecto:
Marca:
Enviado por:
Fecha: 03/08/2021

Wall Louvered Discharge, Model WL-18x6, For Models SP/CSP



Wall louvered discharge with anodized aluminum grille designed for exterior applications. Units feature built-in damper to eliminate backdrafts.



A	B	C	D	E
19.75 in	8 in	18 in	9 in	6 in

Características de funcionamiento

No hay curva del ventilador disponible.

California Residents

 **WARNING**

This product can expose you to chemicals including cadmium used in the processing of corrosion resistant metal and fasteners, which is known to the State of California to cause cancer and birth defects or other reproductive harm. For more information visit www.P65Warnings.ca.gov