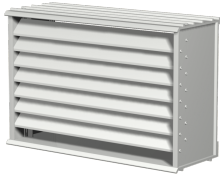




SKU
BVE128

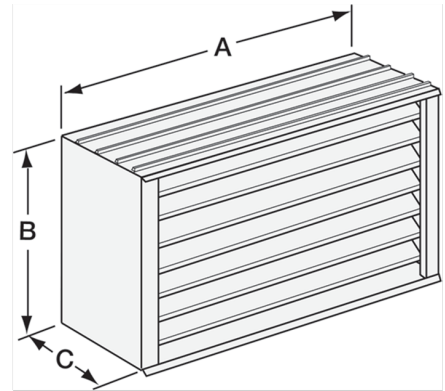
Job Name:
Mark:
Submitted By:
Date: 01/22/2021

Extruded Aluminum Brick Vent, 12 In X 8 In



Brick vents provide a permanent means of ventilation for crawl spaces, hung ceilings, incinerator rooms, chimney flues, foundations, pipe spaces and corridors. Extruded construction provides a quality finished appearance. A high water stop at the rear and deep overlapping blades with storm stops provide maximum resistance to rain and weather.

- Anodized aluminum construction
- Built in aluminum mesh insect screen



A	B	C
12 in	7.75 in	4 in

Performance Characteristics

No Fan Curve Available.

Construction Features

Frame Material	Heavy gauge extruded 6063T5 aluminum
Frame Gauge	0.125
Frame Type	No Flange
Blade Material	Heavy gauge extruded 6063T5 aluminum
Blade Gauge	0.125

California Residents

⚠ WARNING

This product can expose you to chemicals including cadmium used in the processing of corrosion resistant metal and fasteners, which is known to the State of California to cause cancer and birth defects or other reproductive harm. For more information visit www.P65Warnings.ca.gov