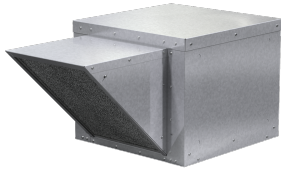




SKU
SAF-110-5X-3-QD-DR2

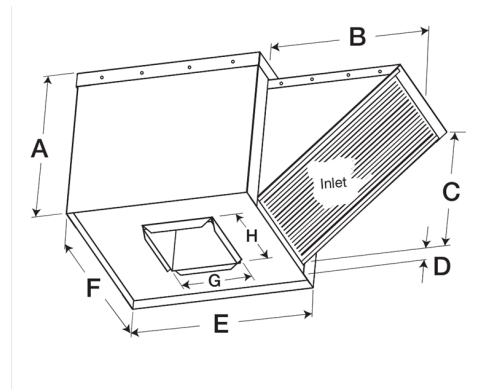
Job Name:
Mark:
Submitted By:
Date: 10/26/2020

Centrifugal Supply Fan, Model SAF-110, Belt Drive, 1/2HP, 208-230/460V, 3Ph, Motor & Drives Unassembled, 1313-2269 CFM



Model SAF is a filtered supply fan designed to provide non-tempered make-up air to commercial or industrial buildings, including commercial kitchen applications. Fresh outdoor air is supplied to replace air lost through hood exhaust or general building ventilation.

- Double-width forward-curved centrifugal wheel results in high efficiency and low sound levels
- Permanent washable filters allow for many years of reliable use
- Cover and side access panels are easily removed for access to motor compartment and drive assembly
- Curb cap has prepunched mounting holes to ensure correct attachment to the roof curb

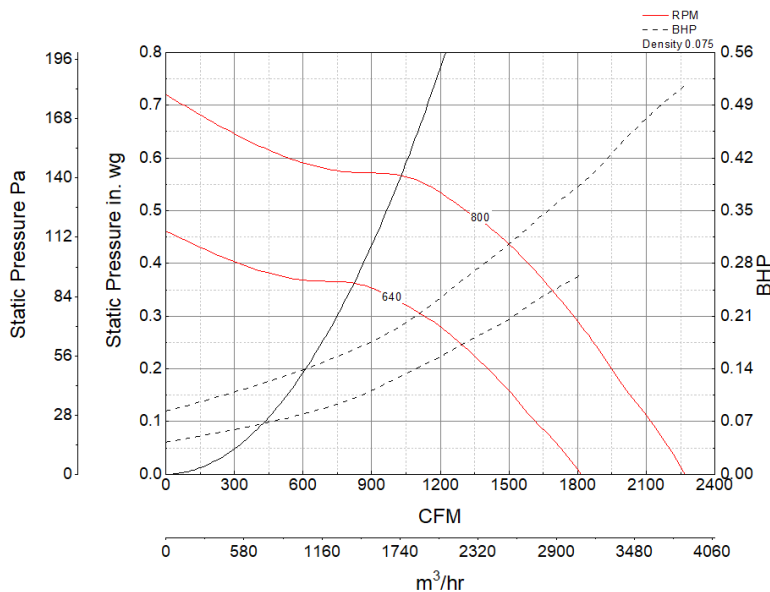


A	B	C	D	E	F	G	H
25 in	22 in	21.062 5 in	1.5 in	30 in	30 in	11.562 5 in	13.375 in

Certifications

AMCA Sound & Air
UL/cUL 705

Performance Characteristics



Construction Features

Drive Type	Belt Drive
Impeller Type	Forward curved wheel
Impeller Material	Aluminum
Housing Material	Galvanized Steel
Includes	Access Panels Unassembled drive package Washable, aluminum 1-inch filters
Max Inlet Temp	120 °F
Certifications	AMCA Sound & Air UL/cUL 705
Drive Package Description	Motor and drives shipped loose
Required Accessory	Roof curb for new roof installations

Air and Sound Performance

Motor HP	Max BHP	Max Fan RPM	Min Fan RPM	Ps (in. wg)	0	0.125	0.25	0.375	0.5
1/2	0.52	800	640	CFM	2,269	2,075	1,870	1,633	1,313
				Sones	17.3	15.4	13.9	12	11.4

California Residents

 **WARNING**

This product can expose you to chemicals including cadmium used in the processing of corrosion resistant metal and fasteners, which is known to the State of California to cause cancer and birth defects or other reproductive harm. For more information visit www.P65Warnings.ca.gov