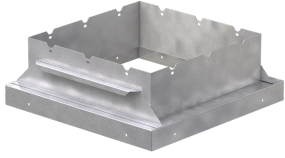




SKU
ADAPTER-22-30

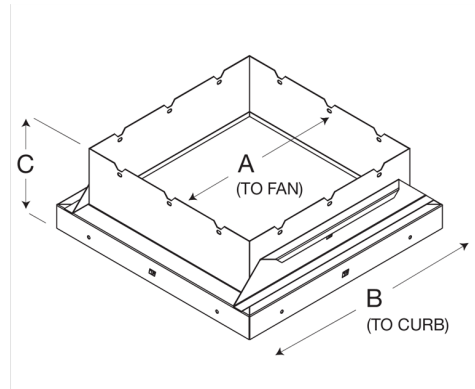
Nombre del Proyecto:
Marca:
Enviado por:
Fecha: 07/29/2021

Roof Curb Adapter, Adapts 22" Fan Curb Cap/Base to 30" Roof Curb



Curb adapters are designed to adapt standard curb cap dimensions to existing curb when replacing a fan or ventilator. Constructed of galvanized steel. For use with model AE, sizes 12 through 14, model AS, sizes 12 through 14, model CUBE, sizes 141 through 161, model CUE, sizes 141 through 161, model G, sizes 143 through 163, and model GB, sizes 141 through 161.

- Increases mounting area of fan base to fit larger curb
- Adapt your existing curb to a new rooftop unit
- Allows for quick and easy replacements
- Galvanized steel construction



A	B	C
22 in	30 in	8.5 in

Características de funcionamiento

No hay curva del ventilador disponible.

California Residents

 **WARNING**

This product can expose you to chemicals including cadmium used in the processing of corrosion resistant metal and fasteners, which is known to the State of California to cause cancer and birth defects or other reproductive harm. For more information visit www.P65Warnings.ca.gov