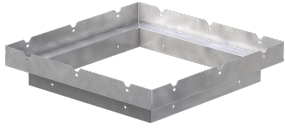




SKU  
REDUCER-26-22

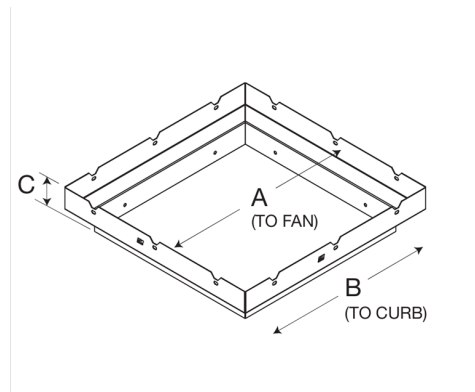
Nombre del Proyecto:  
Marca:  
Enviado por:  
Fecha: 01/19/2021

## Roof Curb Adapter, Reduces 26" Fan Curb Cap/Base to 22" Roof Curb



Curb adapters are designed to adapt standard curb cap dimensions to existing curb when replacing a fan or ventilator. Constructed of galvanized steel. This reducer is for use with Greenheck models AE-16 and AS-16.

- Reduces mounting area of fan base to fit smaller curb
- Adapt your existing curb to a new rooftop unit
- Allows for quick and easy replacements
- Galvanized steel construction



A	B	C
26 in	22 in	5 in

### Características de funcionamiento

No hay curva del ventilador disponible.

### California Residents

 **WARNING**

This product can expose you to chemicals including cadmium used in the processing of corrosion resistant metal and fasteners, which is known to the State of California to cause cancer and birth defects or other reproductive harm. For more information visit [www.P65Warnings.ca.gov](http://www.P65Warnings.ca.gov)