



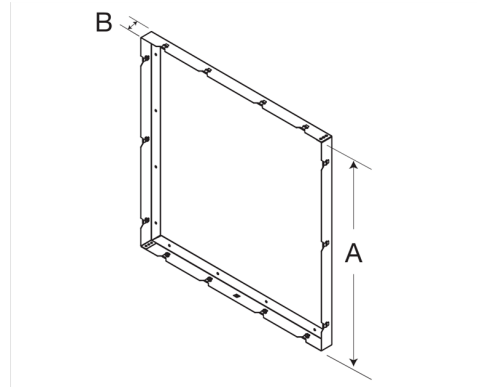
SKU
916652

Nombre del Proyecto:
Marca:
Enviado por:
Fecha: 01/18/2021

Wall bracket, For use with Model CUBE 300



Galvanized steel wall bracket allows Models CUE and CUBE to be wall mounted, fitting between the building wall and the fan. Bracket mounts directly to the exterior wall surface allowing for a flush mount installation.



A	B
39.5 in	2 in

Características de funcionamiento

No hay curva del ventilador disponible.

California Residents

 **WARNING**

This product can expose you to chemicals including cadmium used in the processing of corrosion resistant metal and fasteners, which is known to the State of California to cause cancer and birth defects or other reproductive harm. For more information visit www.P65Warnings.ca.gov