



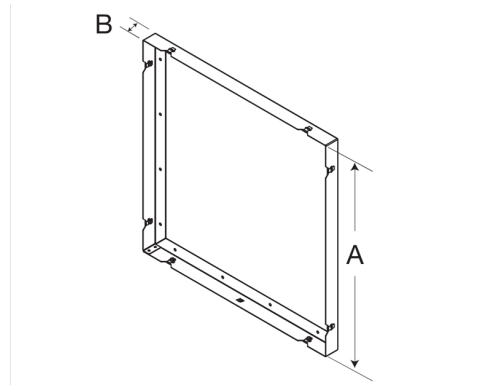
SKU  
916648

Job Name:  
Mark:  
Submitted By:  
Date: 10/01/2020

## Wall bracket, For use with Model CUBE 141-161 with a 22 inch base and Model CUE 141-161 with a 22 inch base



Galvanized steel wall bracket allows Models CUE and CUBE to be wall mounted, fitting between the building wall and the fan. Bracket mounts directly to the exterior wall surface allowing for a flush mount installation.



A	B
21.5 in	2 in

### Performance Characteristics

No Fan Curve Available.

### California Residents

**⚠ WARNING**

This product can expose you to chemicals including cadmium used in the processing of corrosion resistant metal and fasteners, which is known to the State of California to cause cancer and birth defects or other reproductive harm. For more information visit [www.P65Warnings.ca.gov](http://www.P65Warnings.ca.gov)