



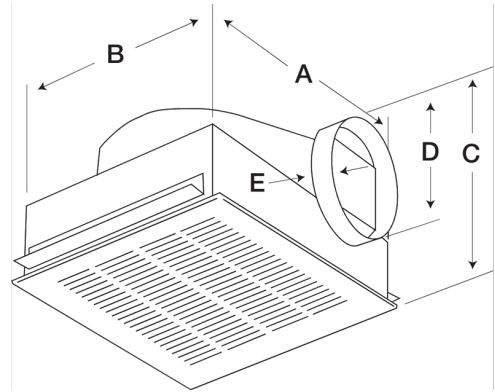
SKU  
SP-B80MH-QD

Nombre del Proyecto:  
Marca:  
Enviado por:  
Fecha: 03/04/2021

## Bathroom Exhaust Fan with Motion and Humidity Grille, Low Profile, Model SP-B80MH, 115V, 1Ph, 46-94 CFM

Low profile bathroom exhaust fan, Model SP-B features a forward-curved wheel for low sound and high efficiency. Units are ideal for residential, multi-family or hotel applications. The motion and humidity sensor grille automatically turns the fan on when a change in motion is sensed or when excess humidity is detected.

- Compact size for height restricted areas
- ENERGY STAR rated
- Integral damper prevents unwanted backdrafts
- Round standard outlet for quick, easy connections
- Speed controllable
- Motion and humidity grille included



### Características de funcionamiento

