



SKU  
SP-A50-90H-VG-QD

Job Name:  
Mark:  
Submitted By:  
Date: 01/25/2020

## Bathroom Exhaust Fan, Constant CFM with Humidity Sensor, Model SP-A50-90H, Vari-Green EC Motor, 115V, 1Ph, 50-90 CFM

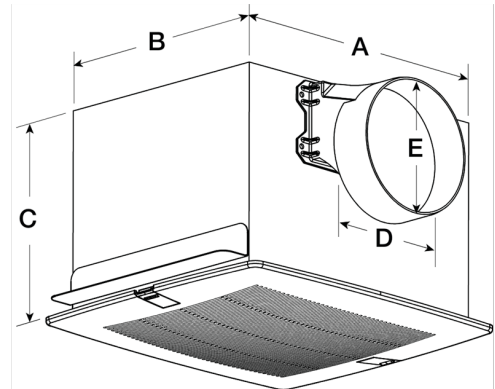


Model SP-VG, bathroom exhaust fan features Vari-Green EC motor technology, allowing for increased energy savings. Units operate at a constant CFM up to 0.875 in. wg. And provide continuous or intermittent ventilation while maintaining extremely low sound levels. The humidity sensor automatically detects excess humidity in a space and activates the fan for control of excess moisture.

- Energy efficient Vari-Green motor
- ENERGY STAR rated
- Industry-leading low sound levels
- Units operate at a constant cfm up to 0.875 in. wg. and provides continuous or intermittent ventilation while maintaining extremely low sound levels
- Humidity sensor to control excess moisture
- Designer grille included

### Certifications

AMCA Air & Sound  
UL/cUL 507



A	B	C	D	E
13.25 in	10.625 in	9 in	6 in	6 in

### Performance Characteristics

No Fan Curve Available.

### Construction Features

Drive Type	Direct Drive
Impeller Type	Centrifugal Wheel
Impeller Material	Polypropylene
Housing Material	Galvanized Steel
Includes	Backdraft damper Designer Grille Mounting brackets Vari-Green EC motor. Humidity sensor
Certifications	AMCA Air & Sound UL/cUL 507
Speed Controllable	Yes

### Motor Information

Service Factor	1
Phase	1
Voltage	120 230
HP	1/60
Hertz	60
RPM	2300
Motor Insulation	B
Thermal Protection	Auto
Nominal Efficiency	1
Motor Included	Yes

## Air and Sound Performance

Watts	Max Fan RPM	Min Fan RPM	Ps (in. wg)	0	0.125	0.25	0.375	0.5	0.625	0.75	0.875
22.1	808	808	CFM	50	50	50	50	50	50	50	50
			Sones	<0.3	0.6	0.7	1.5	1.9	2	2.4	2.6
23.3	838	838	CFM	70	70	70	70	70	70	70	66
			Sones	<0.3	0.4	0.9	1.4	1.9	2.2	2.8	2.5
24.1	887	887	CFM	90	90	90	90	90	90	82	71
			Sones	<0.3	0.6	1	1.6	2.1	2.2	2.7	2.5

## California Residents

 **WARNING**

This product can expose you to chemicals including cadmium used in the processing of corrosion resistant metal and fasteners, which is known to the State of California to cause cancer and birth defects or other reproductive harm. For more information visit [www.P65Warnings.ca.gov](http://www.P65Warnings.ca.gov)