



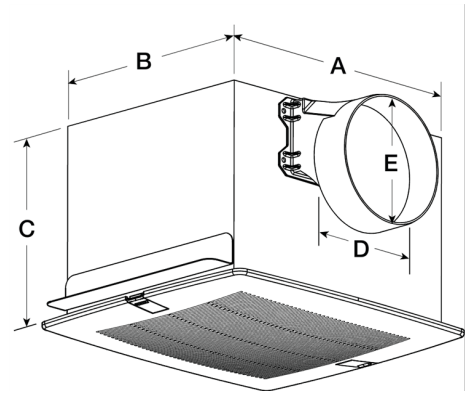
SKU  
SP-A90M-QD

Job Name:  
Mark:  
Submitted By:  
Date: 03/04/2021

## Bathroom Exhaust Fan with Motion Grille, Model SP-A90M, 115V, 1Ph, 80-114 CFM

Model SP-A direct drive, ceiling mounted fan is designed to provide the lowest sounds levels for bathroom exhaust. Units feature an insulated housing and are ideal for residential, multi-family or hotel applications. The motion sensor grille uses a passive infrared motion detector to automatically turn the fan on when a change in motion is sensed.

- Acoustic insulation absorbs sound ensuring quiet operation
- ENERGY STAR rated
- External electrical access reduces installation time
- Industry leading low sound levels
- Speed controllable
- Spring loaded aluminum backdraft damper eliminates rattling
- Motion sensor grille included



### Performance Characteristics

