



SKU
CUBE-180HP-5G-3-QD-DR2

Nombre del Proyecto:
Marca:
Enviado por:
Fecha: 07/11/2020

Centrifugal Upblast Exhaust Fan, Model CUBE-180HP, Belt Drive, 1/2HP, 208-230/460V, 3Ph, Motor & Drives Unassembled, 1886-3205 CFM

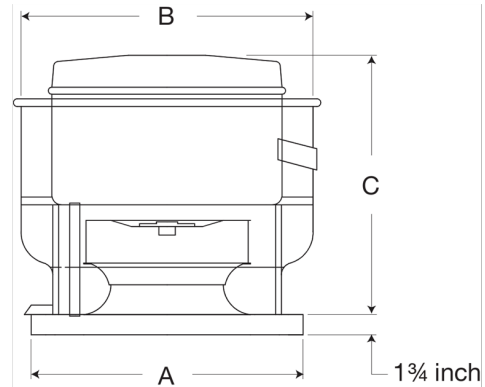


The CUBE is an aluminum exhaust fan specifically designed for roof or sidewall mounted applications where contaminated or grease laden exhaust air can be discharged directly upward, away from the roof or wall surface. The fans feature a one piece windband continuously welded to curb cap and double studded isolators for true vibration isolation.

- Windband is continually welded to the curb cap and drain trough for leakproof construction
- Centrifugal wheel provides high-efficiency and minimal sound
- One-piece aluminum windband with rolled bead provides extra rigidity
- Cooling fins located on top of fan wheel draw outside air through a large breather tube directly into the motor compartment extending motor life
- Wall or roof mountable
- Motor, pulleys and belt ship separately for field assembly

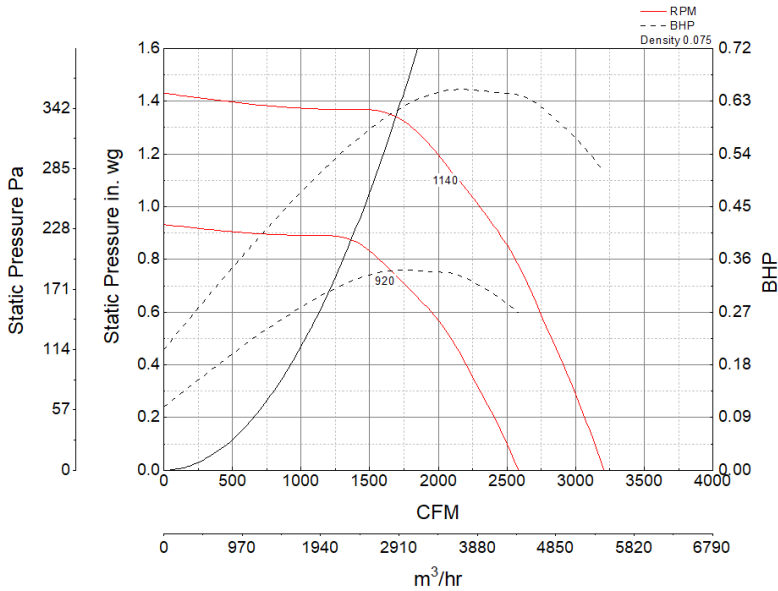
Certifications

AMCA Sound & Air
High Wind and Hurricane
Seismic
UL/cUL 762



| A | B | C |
|-------|-----------|-----------|
| 30 in | 35.375 in | 28.625 in |

Características de funcionamiento



Características de Construcción

| | |
|---------------------------|--|
| Drive Type | Belt Drive |
| Impeller Type | Centrifugal Wheel |
| Impeller Material | Aluminum |
| Housing Material | Spun Aluminum |
| Includes | Disconnect switch Unassembled drive package |
| Max Inlet Temp | 400 °F |
| Certifications | AMCA Sound & Air High Wind and Hurricane Seismic UL/cUL 762 |
| Drive Package Description | Motor and drives shipped loose |
| Required Accessory | Roof curb for new roof installations |

Información del motor

| | |
|--------------------|-------------------|
| Service Factor | 1.15 |
| Phase | 3 |
| Voltage | 208 230 460 |
| HP | 1/2 |
| Hertz | 60 |
| Motor Enclosure | Open Drip Proof |
| RPM | 1800 |
| Motor Insulation | F |
| Thermal Protection | No |
| Nominal Efficiency | 68 |

Rendimiento de Aire y Sonido

| HP Motor | BHP Max | Max Fan RPM | Min Fan RPM | Ps (in. wg) | 0 | 0.125 | 0.25 | 0.375 | 0.5 | 0.625 | 0.75 | 0.875 | 1 | 1.25 |
|----------|---------|-------------|-------------|-------------|-------|-------|-------|-------|-------|-------|-------|-------|-------|-------|
| 1/2 | 0.65 | 1140 | 920 | PCM | 3,205 | 3,116 | 3,026 | 2,929 | 2,823 | 2,720 | 2,604 | 2,470 | 2,294 | 1,886 |
| | | | | Sones | 16.8 | 16.1 | 15.5 | 14.9 | 14.6 | 14.5 | 13.9 | 13.2 | 13.1 | 12.8 |



- Greenheck Fan Corporation certifies that the model shown herein is licensed to bear the AMCA Seal.
- The ratings shown are based on tests and procedures performed in accordance with AMCA Publication 211 and AMCA Publication 311 and comply with the requirements of the AMCA Certified Ratings Program.
- Performance certified is for installation type A: Free inlet, Free outlet.
- Power rating (BHP/kW) includes transmission losses.
- Performance ratings do not include the effects of appurtenances (accessories).
- The sound ratings shown are loudness values in fan sones at 5 ft. (1.5 m) in a hemispherical free field calculated per AMCA Standard 301. Values shown are for installation type A: free inlet hemispherical sone levels.

California Residents

⚠ WARNING

This product can expose you to chemicals including cadmium used in the processing of corrosion resistant metal and fasteners, which is known to the State of California to cause cancer and birth defects or other reproductive harm. For more information visit www.P65Warnings.ca.gov