



SKU
GB-160-5122X3QD-DR2

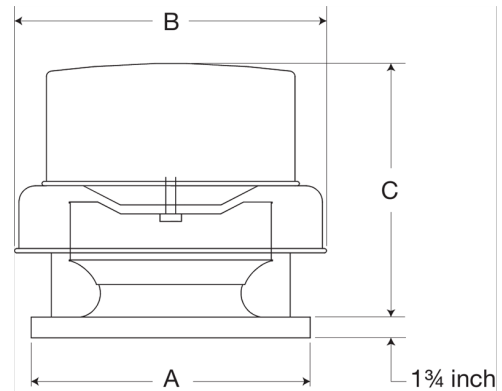
Nombre del Proyecto:
Marca:
Enviado por:
Fecha: 01/21/2021

Centrifugal Downblast Exhaust Fan, Model GB-160, Belt Drive, 1/2HP, 208-230/460V, 3Ph, Motor & Drives Unassembled, 1421-2658 CFM



Model GB, belt drive centrifugal roof exhaust fans are designed to meet the general clean air exhaust requirements for industrial and commercial buildings. Units feature a fully rolled windband bead for increased stability and easy transport. Fresh outside air is drawn in under the motor cover to maximize motor life.

- Centrifugal wheel provides high-efficiency and minimal sound
- True vibration isolation supports the motor and wheel for long life and quiet operation
- One-piece aluminum curb cap provides a weather-tight fit
- Positive motor cooling with fresh air results in maximum motor life
- Galvanized birdscreen protects the fan discharge from birds and small objects
- Motor, pulleys and belt ship separately for field assembly

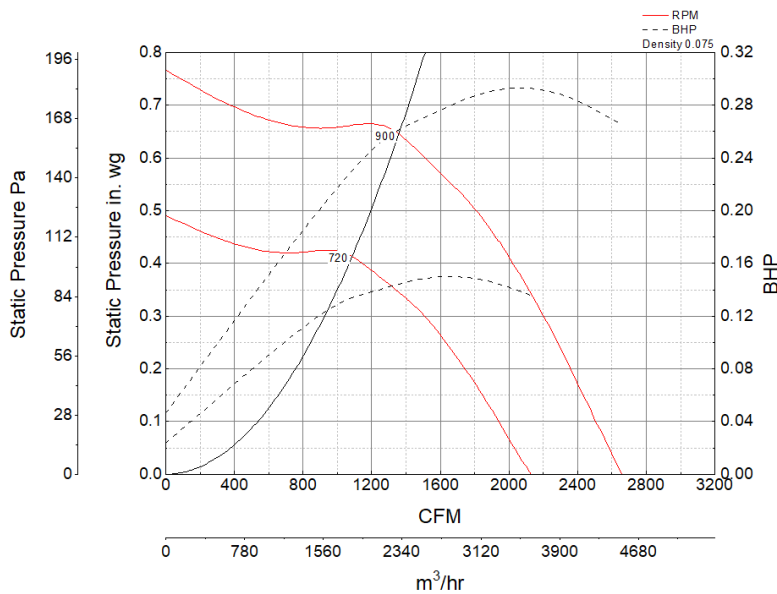


| A | B | C |
|-------|-----------|----------|
| 22 in | 28.375 in | 23.75 in |

Certifications

AMCA Sound & Air
High Wind and Hurricane
Seismic
UL/cUL 705

Características de funcionamiento



Características de Construcción

| | |
|---------------------------|--|
| Drive Type | Belt Drive |
| Impeller Type | Centrifugal Wheel |
| Impeller Material | Aluminum |
| Housing Material | Spun Aluminum |
| Includes | Unassembled drive package |
| Max Inlet Temp | 180 °F |
| Certifications | AMCA Sound & Air High Wind and Hurricane Seismic UL/cUL 705 |
| Drive Package Description | Motor and drives shipped loose |
| Required Accessory | Roof curb for new installations |

Rendimiento de Aire y Sonido

| HP Motor | BHP Max | Max Fan RPM | Min Fan RPM | Ps (in. wg) | 0 | 0.125 | 0.25 | 0.375 | 0.5 | 0.625 |
|----------|---------|-------------|-------------|-------------|-------|-------|-------|-------|-------|-------|
| 1/2 | 0.29 | 900 | 720 | PCM | 2,658 | 2,471 | 2,282 | 2,069 | 1,803 | 1,421 |
| | | | | Sones | 11.6 | 11 | 10.6 | 10.2 | 9.6 | 8.9 |



California Residents

 **WARNING**

This product can expose you to chemicals including cadmium used in the processing of corrosion resistant metal and fasteners, which is known to the State of California to cause cancer and birth defects or other reproductive harm. For more information visit www.P65Warnings.ca.gov