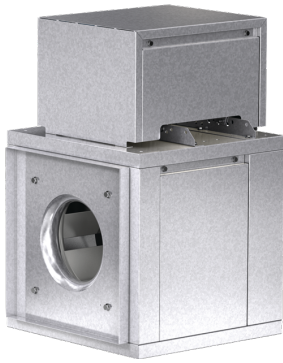




SKU  
BSQ-140-10X-3-QD-DR2

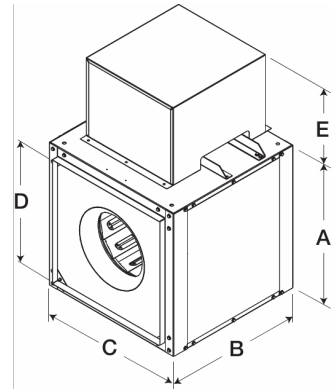
Job Name:  
Mark:  
Submitted By:  
Date: 01/17/2020

# Centrifugal Inline Fan, Model BSQ-140, Belt Drive, 1HP, 208-230/460V, 3Ph, Motor & Drives Unassembled, 2007-3319 CFM



Model BSQ centrifugal inline fan features a unique combination of installation flexibility, rugged construction, ease of service, high efficiency and low sound levels. These compact fans are the ideal selection for indoor clean air applications including intake, exhaust, return or make-up air.

- Removable access panels allow easy access to all interior components
- Aluminum, centrifugal wheel delivers maximum efficiency
- Inlet and discharge duct collars allow for easy duct connection
- Rigid, galvanized steel housing construction
- Factory tested bearings designed specifically for air handling applications with a minimum L<sub>10</sub> life in excess of 100,000 hours
- Motor, pulleys and belt ship separately for field assembly

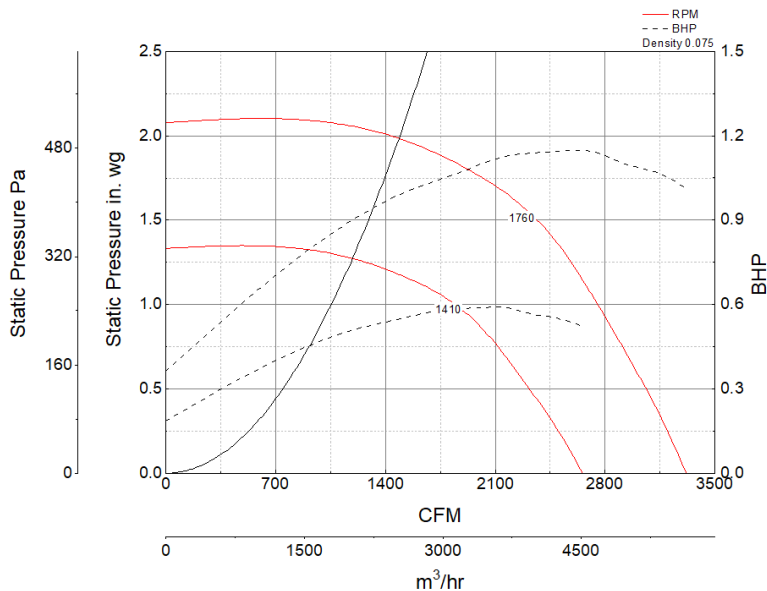


| A     | B     | C     | D         | E       |
|-------|-------|-------|-----------|---------|
| 23 in | 22 in | 23 in | 19.875 in | 12.5 in |

## Certifications

AMCA Sound & Air  
UL/cUL 705

## Performance Characteristics



## Construction Features

|                           |   |
|---------------------------|---|
| Drive Type                | Belt Drive  |
| Impeller Type             | Centrifugal Wheel   |
| Impeller Material         | Aluminum  |
| Housing Material          | Galvanized Steel  |
| Includes                  | Disconnect switch<br>Motor cover<br>Unassembled drive package |
| Max Inlet Temp            | 160 °F  |
| Certifications            | AMCA Sound & Air<br>UL/cUL 705                                |
| Drive Package Description | Motor and drives shipped loose                                |

## Motor Information

|                    |                   |
|--------------------|-------------------|
| Service Factor     | 1.15              |
| Phase              | 3                 |
| Voltage            | 208<br>230<br>460 |
| HP                 | 1                 |
| Hertz              | 60                |
| Motor Enclosure    | Open Drip Proof   |
| RPM                | 1800              |
| Motor Insulation   | F                 |
| Thermal Protection | No                |
| Nominal Efficiency | 77                |

## Air and Sound Performance

| Motor HP | Max BHP | Max Fan RPM | Min Fan RPM | Ps (in. wg) | 0     | 0.125 | 0.25  | 0.375 | 0.5   | 0.625 | 0.75  | 0.875 | 1     | 1.25  | 1.5   | 1.75  |
|----------|---------|-------------|-------------|-------------|-------|-------|-------|-------|-------|-------|-------|-------|-------|-------|-------|-------|
| 1        | 1.14    | 1760        | 1410        | CFM         | 3,319 | 3,257 | 3,194 | 3,131 | 3,059 | 2,986 | 2,910 | 2,831 | 2,752 | 2,578 | 2,342 | 2,007 |
|          |         |             |             | Sones       | 19.8  | 19.3  | 19    | 19    | 18.9  | 18.7  | 18.7  | 18.6  | 18.4  | 17.8  | 17.1  | 16.1  |



- Greenheck Fan Corporation certifies that the model shown herein is licensed to bear the AMCA Seal. The ratings shown are based on tests and procedures performed in accordance with AMCA Publication 211 and AMCA Publication 311 and comply with the requirements of the AMCA Certified Ratings Program.
- Performance certified is for installation type B: Free inlet, Ducted outlet.
- Power rating (BHP/kW) includes transmission losses.
- Performance ratings do not include the effects of appurtenances (accessories).
- The inlet sound ratings shown are loudness values in fan sones at 5 ft. (1.5 m) in a hemispherical free field calculated per AMCA Standard 301. Values shown are for installation type B: free inlet hemispherical sone levels.