



SKU  
BSQ-120-LMDX-QD

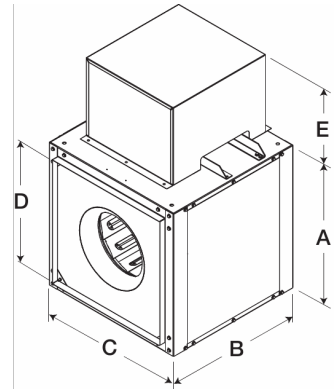
Nombre del Proyecto:  
Marca:  
Enviado por:  
Fecha: 01/17/2020

# Centrifugal Inline Fan, Model BSQ-120, Belt Drive, Less Motor & Drive Package, 595-2255 CFM



Model BSQ centrifugal inline fan features a unique combination of installation flexibility, rugged construction, ease of service, high efficiency and low sound levels. These compact fans are the ideal selection for indoor clean air applications including intake, exhaust, return or make-up air.

- Removable access panels allow easy access to all interior components
- Aluminum, centrifugal wheel delivers maximum efficiency
- Inlet and discharge duct collars allow for easy duct connection
- Rigid, galvanized steel housing construction
- Factory tested bearings designed specifically for air handling applications with a minimum L<sub>10</sub> life in excess of 100,000 hours

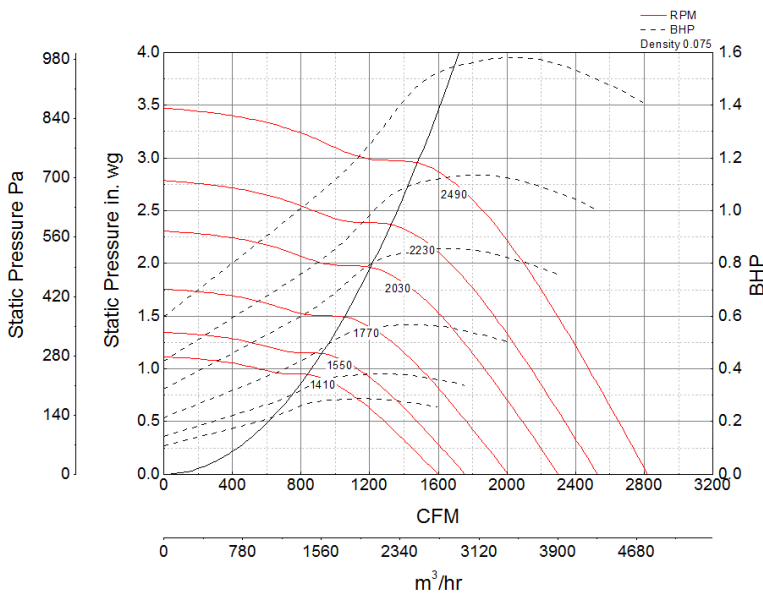


A	B	C	D	E
19 in	21 in	19 in	15.875 in	12.5 in

### Certifications

AMCA Sound & Air  
UL/cUL 705

### Características de funcionamiento



Note: The maximum FRPM for each motor horsepower is shown. For additional performance ranges available for this fan, refer to the performance table.

### Características de Construcción

Drive Type	Belt Drive
Impeller Type	Centrifugal Wheel
Impeller Material	Aluminum
Housing Material	Galvanized Steel
Includes	Motor cover
Max Inlet Temp	160 °F
Certifications	AMCA Sound & Air UL/cUL 705
Drive Package Description	No drive package included

### Información del motor

Motor Included	No
----------------	----

# Rendimiento de Aire y Sonido

HP Motor	BHP Max	Max Fan RPM	Min Fan RPM	Ps (in. wg)	0	0.125	0.25	0.375	0.5	0.625	0.75	0.875	1	1.25	1.5	1.75	2	2.25	2.5	2.75	
1/4	0.08	910	790	PCM	1,031	913	785	595	-	-	-	-	-	-	-	-	-	-	-	-	-
				Sone <sub>s</sub>	7.4	7.3	7.2	6.9	-	-	-	-	-	-	-	-	-	-	-	-	-
1/4	0.15	1130	910	PCM	1,281	1,186	1,089	985	859	-	-	-	-	-	-	-	-	-	-	-	-
				Sone <sub>s</sub>	8.6	8.6	8.7	8.6	8.3	-	-	-	-	-	-	-	-	-	-	-	-
1/4	0.29	1410	1130	PCM	1,598	1,523	1,446	1,368	1,286	1,197	1,099	964	-	-	-	-	-	-	-	-	-
				Sone <sub>s</sub>	11.7	11.5	11.5	11.1	10.8	10.6	10.3	9.8	-	-	-	-	-	-	-	-	-
1/3	0.10	1000	940	PCM	1,133	1,026	914	783	-	-	-	-	-	-	-	-	-	-	-	-	-
				Sone <sub>s</sub>	7.8	7.8	7.8	7.6	-	-	-	-	-	-	-	-	-	-	-	-	-
1/3	0.19	1240	1000	PCM	1,405	1,319	1,231	1,140	1,039	917	-	-	-	-	-	-	-	-	-	-	-
				Sone <sub>s</sub>	9.6	9.4	9.5	9.5	9.3	9	-	-	-	-	-	-	-	-	-	-	-
1/3	0.38	1550	1240	PCM	1,757	1,688	1,619	1,548	1,477	1,401	1,320	1,233	1,125	-	-	-	-	-	-	-	-
				Sone <sub>s</sub>	13.4	13.1	13.2	12.7	12.2	12	11.6	11.4	10.8	-	-	-	-	-	-	-	-
1/2	0.15	1140	1060	PCM	1,292	1,198	1,102	1,000	877	-	-	-	-	-	-	-	-	-	-	-	-
				Sone <sub>s</sub>	8.7	8.6	8.7	8.7	8.4	-	-	-	-	-	-	-	-	-	-	-	-
1/2	0.29	1420	1140	PCM	1,609	1,534	1,458	1,381	1,300	1,213	1,118	992	-	-	-	-	-	-	-	-	-
				Sone <sub>s</sub>	11.8	11.6	11.6	11.2	10.9	10.6	10.4	9.9	-	-	-	-	-	-	-	-	-
1/2	0.57	1770	1420	PCM	2,006	1,946	1,886	1,824	1,762	1,700	1,635	1,568	1,494	1,327	-	-	-	-	-	-	-
				Sone <sub>s</sub>	16.6	15.9	16.8	16.2	15.4	14.7	14.5	14.3	14.1	13.3	-	-	-	-	-	-	-
3/4	0.44	1630	1340	PCM	1,847	1,782	1,716	1,649	1,582	1,512	1,439	1,358	1,273	997	-	-	-	-	-	-	-
				Sone <sub>s</sub>	14.5	14.1	14.3	13.9	13.3	13	12.7	12.4	12	10.6	-	-	-	-	-	-	-
3/4	0.86	2030	1630	PCM	2,301	2,248	2,196	2,143	2,089	2,035	1,981	1,927	1,869	1,748	1,615	1,449	-	-	-	-	-
				Sone <sub>s</sub>	21	20	20	20	19.4	18.8	18.4	18.4	18	17.2	16.8	15.7	-	-	-	-	-
1	0.59	1790	1500	PCM	2,029	1,969	1,910	1,849	1,788	1,726	1,662	1,596	1,524	1,364	1,105	-	-	-	-	-	-
				Sone <sub>s</sub>	16.9	16.2	17	16.5	15.7	15.1	14.8	14.6	14.3	13.7	12	-	-	-	-	-	-
1	1.13	2230	1790	PCM	2,527	2,480	2,432	2,384	2,335	2,287	2,238	2,188	2,139	2,034	1,924	1,804	1,662	1,459	-	-	-
				Sone <sub>s</sub>	24	24	24	24	23	22	22	22	22	21	20	19.6	18.7	17.5	-	-	-
1 1/2	0.80	1990	1830	PCM	2,255	2,202	2,148	2,094	2,040	1,984	1,929	1,873	1,813	1,687	1,547	1,352	-	-	-	-	-
				Sone <sub>s</sub>	19.9	19.4	19.5	19.4	18.8	18.2	17.9	17.7	17.4	16.6	16	14.8	-	-	-	-	-
1 1/2	1.58	2490	1990	PCM	2,822	2,779	2,737	2,694	2,651	2,607	2,563	2,520	2,475	2,387	2,294	2,198	2,093	1,984	1,852	1,682	
				Sone <sub>s</sub>	31	31	30	30	29	28	27	27	26	28	26	25	24	23	23	22	



- Greenheck Fan Corporation certifies that the model shown herein is licensed to bear the AMCA Seal. The ratings shown are based on tests and procedures performed in accordance with AMCA Publication 211 and AMCA Publication 311 and comply with the requirements of the AMCA Certified Ratings Program.
- Performance certified is for installation type B: Free inlet, Ducted outlet.
- Power rating (BHP/kW) includes transmission losses.
- Performance ratings do not include the effects of appurtenances (accessories).
- The inlet sound ratings shown are loudness values in fan sones at 5 ft. (1.5 m) in a hemispherical free field calculated per AMCA Standard 301. Values shown are for installation type B: free inlet hemispherical sone levels.