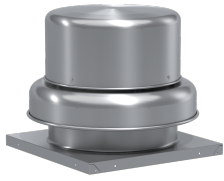




SKU
GB-160-5122XQD

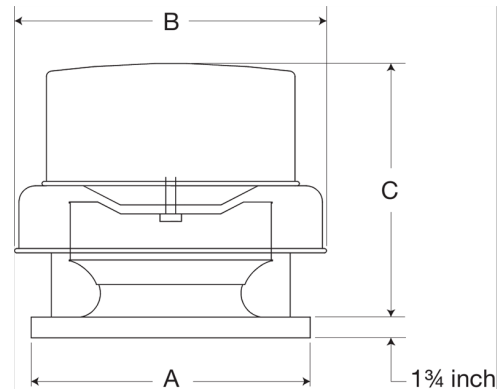
Job Name:
Mark:
Submitted By:
Date: 03/04/2021

Centrifugal Downblast Exhaust Fan, Model GB-160, Belt Drive, 1/2HP, 115/208-230V, 1Ph, 2013-3308 CFM



Model GB, belt drive centrifugal roof exhaust fans are designed to meet the general clean air exhaust requirements for industrial and commercial buildings. Units feature a fully rolled windband bead for increased stability and easy transport. Fresh outside air is drawn in under the motor cover to maximize motor life.

- Centrifugal wheel provides high-efficiency and minimal sound
- True vibration isolation supports the motor and wheel for long life and quiet operation
- One-piece aluminum curb cap provides a weather-tight fit
- Positive motor cooling with fresh air results in maximum motor life
- Galvanized birdscreen protects the fan discharge from birds and small objects

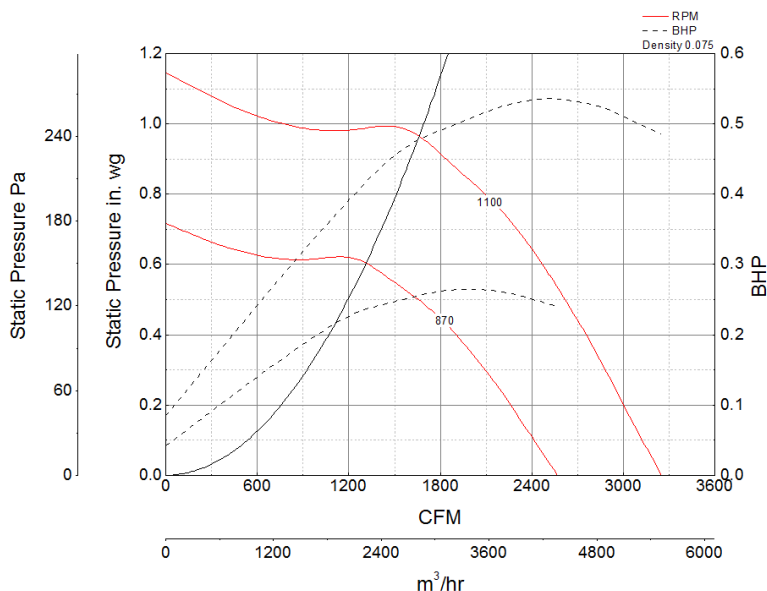


A	B	C
22 in	28.375 in	23.75 in

Certifications

AMCA Sound & Air
High Wind and Hurricane
Seismic
UL/cUL 705

Performance Characteristics



Construction Features

Drive Type	Belt Drive
Impeller Type	Centrifugal Wheel
Impeller Material	Aluminum
Housing Material	Spun Aluminum
Includes	Assembled drive package Disconnect switch
Max Inlet Temp	180 °F
Certifications	AMCA Sound & Air High Wind and Hurricane Seismic UL/cUL 705
Drive Package Description	Motor and drives assembled
Required Accessory	Roof curb for new installations

Motor Information

Service Factor	1.25
Phase	1
Voltage	115
HP	1/2
Hertz	60
Motor Enclosure	Open Drip Proof
RPM	1800
Motor Insulation	B
Thermal Protection	No
Nominal Efficiency	66

Air and Sound Performance

Motor HP	Max BHP	Max Fan RPM	Min Fan RPM	Ps (in. wg)	0	0.125	0.375	0.5	0.625	0.75	0.875
1/2	0.53	1100	870	CFM	3,249	3,095	2,787	2,615	2,429	2,198	1,900
				Sones	15.4	14.8	13.9	13.5	13	12.5	11.9



California Residents

⚠ WARNING

This product can expose you to chemicals including cadmium used in the processing of corrosion resistant metal and fasteners, which is known to the State of California to cause cancer and birth defects or other reproductive harm. For more information visit www.P65Warnings.ca.gov