



SKU
CUBE-140-5122G3QD-DR4

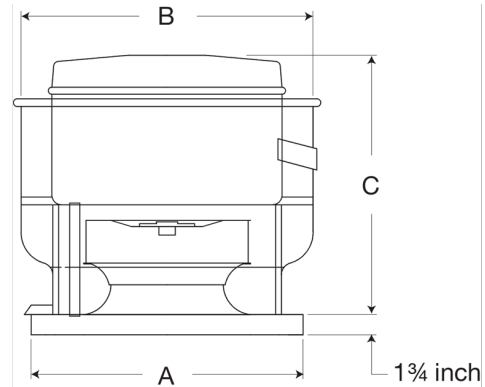
Job Name:
Mark:
Submitted By:
Date: 02/27/2021

Centrifugal Upblast Exhaust Fan, Model CUBE-140, Belt Drive, 1/2HP, 208-230/460V, 3Ph, Motor & Drives Unassembled, 1354-2608 CFM



The CUBE is an aluminum exhaust fan specifically designed for roof or sidewall mounted applications where contaminated or grease laden exhaust air can be discharged directly upward, away from the roof or wall surface. The fans feature a one piece windband continuously welded to curb cap and double studded isolators for true vibration isolation.

- Windband is continually welded to the curb cap and drain trough for leakproof construction
- Centrifugal wheel provides high-efficiency and minimal sound
- One-piece aluminum windband with rolled bead provides extra rigidity
- Cooling fins located on top of fan wheel draw outside air through a large breather tube directly into the motor compartment extending motor life
- Wall or roof mountable
- Motor, pulleys and belt ship separately for field assembly

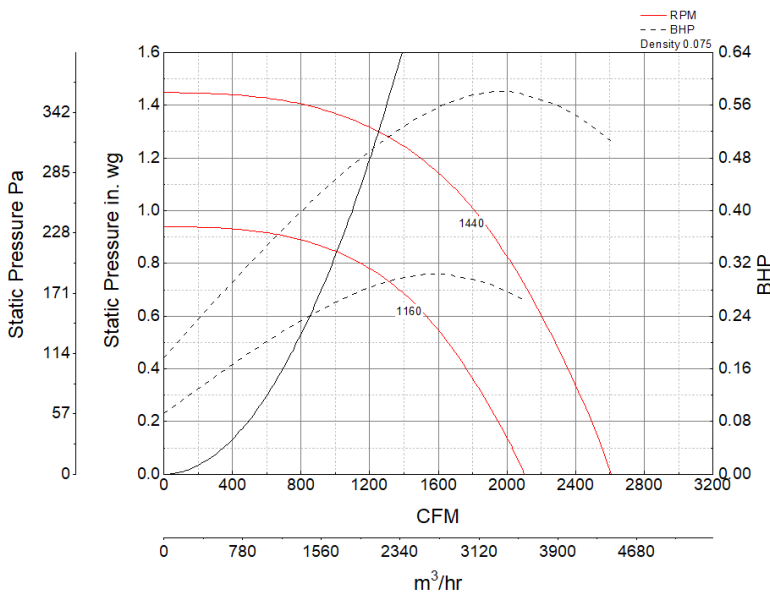


A	B	C
22 in	28.875 in	29.75 in

Certifications

AMCA Sound & Air
High Wind and Hurricane
Seismic
UL/cUL 762

Performance Characteristics



Construction Features

Drive Type	Belt Drive
Impeller Type	Centrifugal Wheel
Impeller Material	Aluminum
Housing Material	Spun Aluminum
Includes	Unassembled drive package
Max Inlet Temp	400 °F
Certifications	AMCA Sound & Air High Wind and Hurricane Seismic UL/cUL 762
Drive Package Description	Motor and drives shipped loose
Required Accessory	Roof curb for new roof installations

Air and Sound Performance

Motor HP	Max BHP	Max Fan RPM	Min Fan RPM	Ps (in. wg)	0	0.125	0.25	0.375	0.5	0.625	0.75	0.875	1	1.25
1/2	0.58	1440	1160	CFM	2,608	2,538	2,459	2,372	2,281	2,183	2,073	1,948	1,802	1,354
				Sones	16	15.5	15.2	14.2	13.2	120.7	12.2	11.9	11.4	10.1



California Residents

 **WARNING**

This product can expose you to chemicals including cadmium used in the processing of corrosion resistant metal and fasteners, which is known to the State of California to cause cancer and birth defects or other reproductive harm. For more information visit www.P65Warnings.ca.gov