



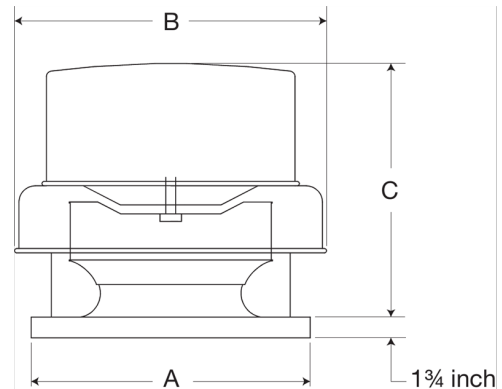
SKU
G-099-4VG119XQD

Job Name:
Mark:
Submitted By:
Date: 03/04/2021

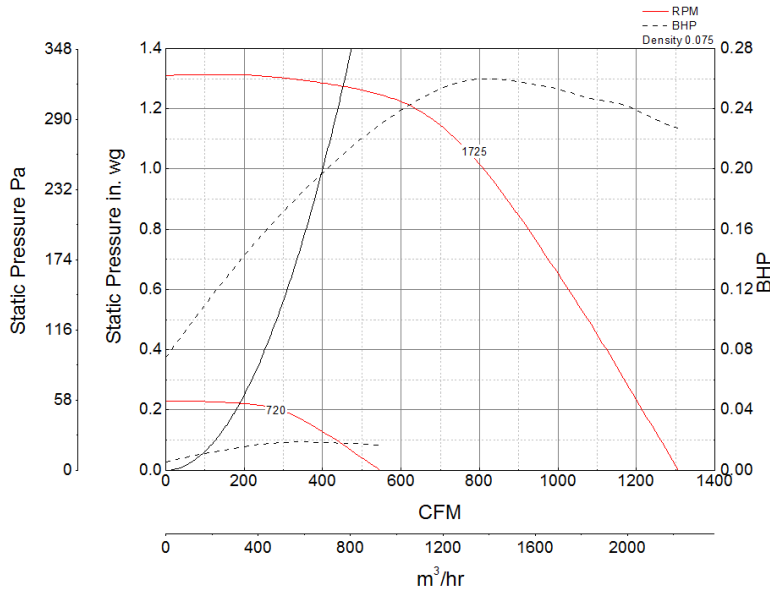
Centrifugal Downblast Exhaust Fan, Variable Speed, Model G-099, Direct Drive, Vari-Green EC motor, 1/4HP, 115/208-230V, 1Ph, 400-1307 CFM

Model G, direct drive centrifugal roof exhaust fans provide the industry's best performance and durability for general clean air applications where air is discharged downward, toward the roof. Units feature the most advanced motor cooling of any fan in its class.

- Centrifugal wheel provides high-efficiency and minimal sound
- True vibration isolation supports the motor and wheel for long life and quiet operation
- One-piece aluminum curb cap provides a weather-tight fit
- Positive motor cooling with fresh air results in maximum motor life
- Galvanized birdscreen protects the fan discharge from birds and small objects
- Energy-efficient, speed controllable, Vari-green® motor



Performance Characteristics



- Greenheck Fan Corporation certifies that the model shown herein is licensed to bear the AMCA Seal. The ratings shown are based on tests and procedures performed in accordance with AMCA Publication 211 and AMCA Publication 311 and comply with the requirements of the AMCA Certified Ratings Program.
- Performance certified is for installation type A: Free inlet, Free outlet.
- Power rating (BHP/kW) does not include transmission losses.
- Performance ratings include the effects of birdscreen.
- The sound ratings shown are loudness values in fan sones at 5 ft. (1.5 m) in a hemispherical free field calculated per AMCA Standard 301. Values shown are for installation type A: free inlet hemispherical sone levels.